



## GENERAL DESCRIPTION

The MC3419 is a small form factor, integrated digital output 3-axis accelerometer with a feature set optimized for cell phones and consumer product motion sensing. Applications include user interface control, gaming motion input, electronic compass tilt compensation for cell phones, game controllers, remote controls and portable media products.

The MC3419 features a dedicated motion block which implements algorithms to support “any motion” and shake detection, tilt/flip and tilt 35 position detection.

Low power consumption and small size are inherent in the monolithic fabrication approach, where the MEMS accelerometer is integrated in a single-chip with the electronics integrated circuit.

In the MC3419 the internal sample rate can be set from 0.5 to 1000 samples / second. The device supports the reading of sample and event status via polling or interrupts.

## FEATURES

### *Range, Sampling & Power*

- $\pm 2, \pm 4, \pm 8, \pm 12, \pm 16g$  range
- 16-bit single sample resolution
- 16-bit resolution with FIFO
- 0.5 to 1000 Hz Output Data Rate
- 4  $\mu A$  typical Standby current
- Low typical active current

### *Simple System Integration*

- SPI up to 10 MHz
- I2C interface, up to 1 MHz
- 2x2x0.92 mm 12-pin LGA package
- High reliability thru single-chip 3D silicon MEMS technology
- RoHS compliant

### *Applications*

- Smartphone
- Wearable
- IoT & IoMT
- Remote controls, gaming
- Vibration in Cell phone
- VR & game controllers

Information furnished by MEMSIC is believed to be accurate and reliable. However, no responsibility is assumed by MEMSIC for its use, or for any infringements of patents or other rights of third parties which may result from its use. No license is granted by implication or otherwise under any patent or patent rights of MEMSIC.

© MEMSIC Semiconductor (Tianjin) Co., Ltd.

Room 4-501, Financial Center, No. 158, West Third Road,  
Tianjin Airport Economic Zone, Tianjin, China, 300308

Tel: +86 022-59896226

[www.memsic.com](http://www.memsic.com)

# TABLE OF CONTENTS

1	Order Information.....	5
2	Functional Block Diagram.....	6
3	Packaging and Pin Description.....	7
3.1	Package Outline.....	7
3.2	Package Orientation.....	8
3.3	Pin Description.....	9
3.4	Typical Application Circuits.....	10
3.5	Tape and Reel.....	13
3.6	Soldering Profile.....	15
3.7	Shipping and Handling Guidelines.....	15
3.8	Moisture Sensitivity Level Control.....	15
4	Specifications.....	16
4.1	Absolute Maximum Ratings.....	16
4.2	Sensor Characteristics.....	17
4.3	Electrical and Timing Characteristics.....	18
4.3.1	Electrical Power and Internal Characteristics.....	18
4.3.2	Electrical Characteristics.....	19
4.3.3	I2C Timing Characteristics.....	20
4.3.4	SPI Timing Characteristics.....	21
5	General Operation.....	22
5.1	Sensor Sampling.....	22
5.2	Offset and Gain Calibration.....	22
6	Operational States.....	23
7	Operational State Flow.....	24
8	Interrupts.....	25
8.1	Interrupt Overview.....	25
8.2	Enabling and Clearing Interrupts.....	26
8.3	Interrupt Sources.....	26
8.3.1	ACQ_INT Interrupt.....	26
8.3.2	TILT/FLIP (TILT_INT, FLIP_INT).....	26
8.3.3	Interrupt on AnyMotion (ANYM_INT).....	26
8.3.4	Interrupt on SHAKE (SHAKE_INT).....	26

8.3.5	Interrupt on TILT_35 (TILT_35_INT) .....	27
8.3.6	Interrupt on FIFO Empty (FIFO_EMPTY_INT) .....	27
8.3.7	Interrupt on FIFO Full (FIFO_FULL_INT) .....	27
8.3.8	Interrupt on FIFO Threshold (FIFO_THRESH_INT) .....	27
8.4	Interrupt Servicing .....	28
8.4.1	Global Interrupt Service method .....	28
8.4.2	Bitmask/Individual Interrupt Service method .....	28
8.5	Interrupt Requests and External INT Pins .....	30
8.5.1	Selecting Drive and Polarity .....	30
8.5.2	Swapping INT Pins .....	31
8.5.3	Combining Interrupt Requests .....	31
9	Sampling .....	32
9.1	Continuous Sampling .....	32
9.2	Setting the Sample Rate .....	32
9.3	Additional Rate Options .....	33
10	I2C Interface .....	34
10.1	Physical Interface .....	34
10.2	Timing .....	35
10.3	I2C Message Format .....	35
10.4	I2C Watchdog Timer .....	36
11	SPI Interface .....	37
11.1	SPI Physical Interface .....	37
11.2	SPI Protocol .....	37
11.3	SPI Register Write Cycle - Single .....	37
11.4	SPI Register Write Cycle - Burst .....	37
11.5	SPI Register Read Cycle - Single .....	38
11.6	SPI Register Read Cycle - Burst .....	38
12	Register Interface .....	39
12.1	Register Summary .....	39
12.2	(0x05) Device Status Register .....	42
12.3	(0x06) Interrupt Enable Register .....	43
12.4	(0x07) Mode Register .....	44
12.5	(0x08) Sample Rate Register .....	45
12.6	(0x09) Motion Control Register .....	46
12.7	(0x0A) FIFO Status Register .....	47

12.8	(0x0B) FIFO Read Pointer Register.....	48
12.9	(0x0C) FIFO Write Pointer Register.....	49
12.10	(0x0D - 0x12) XOUT, YOUT and ZOUT Data Accelerometer Registers .....	50
12.11	(0x13) Status Register.....	51
12.12	(0x14) Interrupt Status Register .....	52
12.13	(0x20) Range and Scale Control Register .....	53
12.14	(0x21 – 0x22) X-Axis Digital Offset Registers.....	54
12.15	(0x23 – 0x24) Y-Axis Digital Offset Registers.....	55
12.16	(0x25 – 0x26) Z-Axis Digital Offset Registers .....	56
12.17	(0x22 & 0x27) X-Axis Digital Gain Registers .....	57
12.18	(0x24 & 0x28) Y-Axis Digital Gain Registers .....	58
12.19	(0x26 & 0x29) Z-Axis Digital Gain Registers.....	59
12.20	(0x2D) FIFO Control Register.....	60
12.21	(0x2E) FIFO Threshold Register .....	62
12.22	(0x2F) FIFO Interrupt Status Register .....	63
12.23	(0x30) FIFO Control Register2, Sample Rate Register 2.....	64
12.24	(0x31) Communication Control Register.....	66
12.25	(0x33) GPIO Control Register .....	67
12.26	(0x40 – 0x41) Tilt/Flip Threshold Registers .....	68
12.27	(0x42) Tilt/Flip Debounce Register .....	69
12.28	(0x43 – 0x44) AnyMotion Threshold Registers.....	70
12.29	(0x45) AnyMotion Debounce Register.....	71
12.30	(0x46 – 0x47) Shake Threshold Registers.....	72
12.31	(0x48 – 0x49) Shake Duration, Peak-to-Peak Registers.....	73
12.32	(0x4A) Timer Control Register.....	74
12.33	(0x4B) Read Count Register .....	75
13	Index of Tables .....	76
14	Revision History.....	78

# 1 ORDER INFORMATION

Table 1. Order Information

Part Number	Resolution	Order Number	Package	Shipping
MC3419	16-bit	MC3419	VLGA-12	Tape & Reel, 5Ku

<table border="1"> <tr> <td>XXYM</td> </tr> <tr> <td>● CCC</td> </tr> </table>	XXYM	● CCC	<b>Row</b>	<b>Marking</b>
	XXYM			
	● CCC			
	XXYM	Device identifier and date code		
CCC	Factory lot code			
●	Pin 1 identifier			

Table 2. Package Information

MEMSIC

## 2 FUNCTIONAL BLOCK DIAGRAM

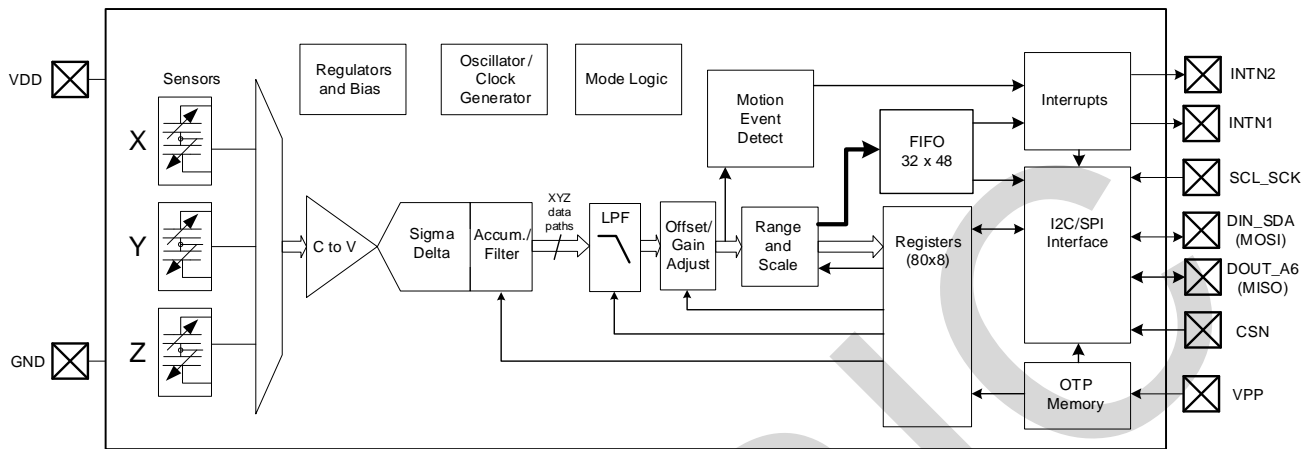


Figure 1. Block Diagram

# 3 PACKAGING AND PIN DESCRIPTION

## 3.1 PACKAGE OUTLINE

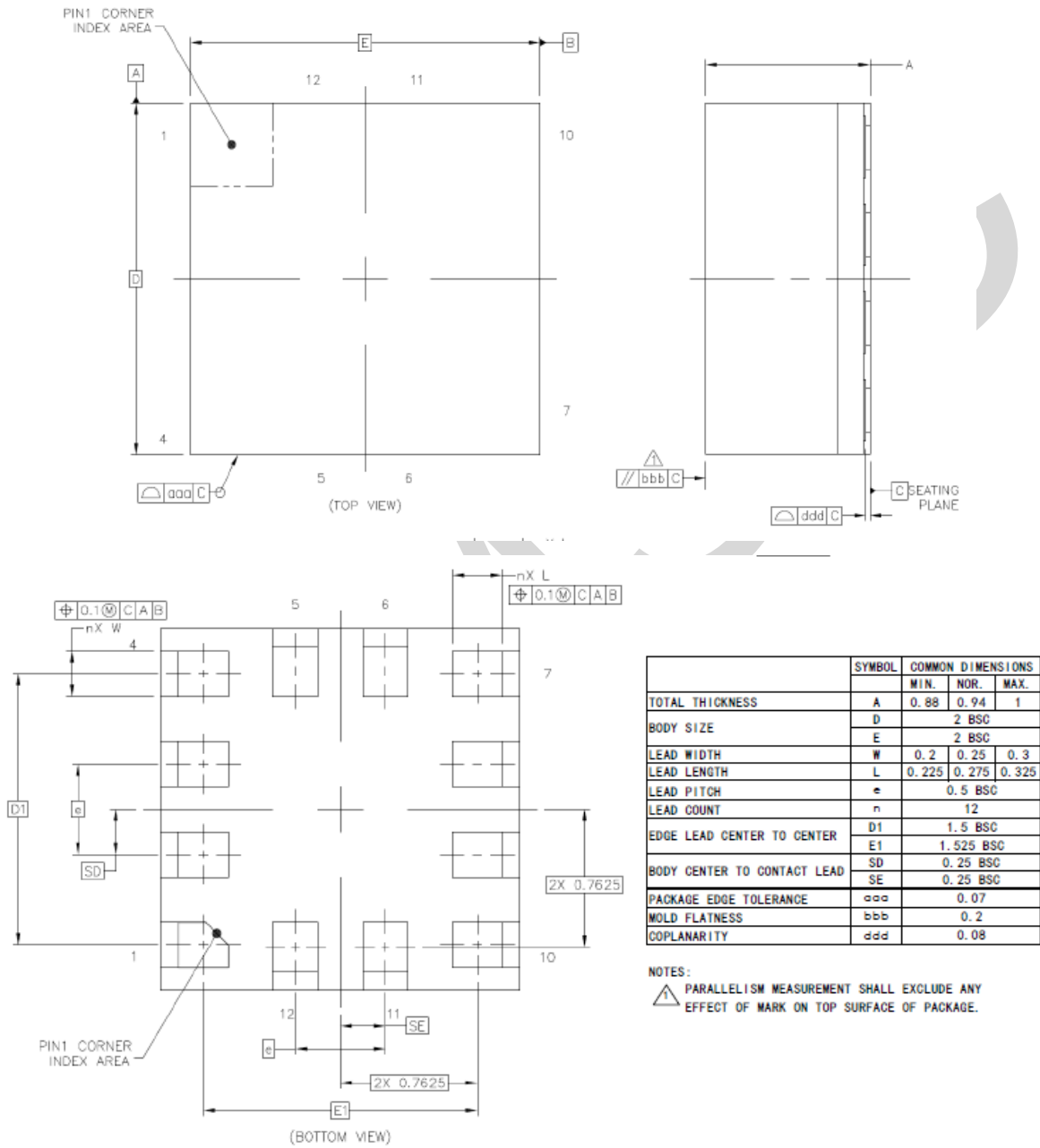


Figure 2. Package Outline and Mechanical Dimensions

### 3.2 PACKAGE ORIENTATION

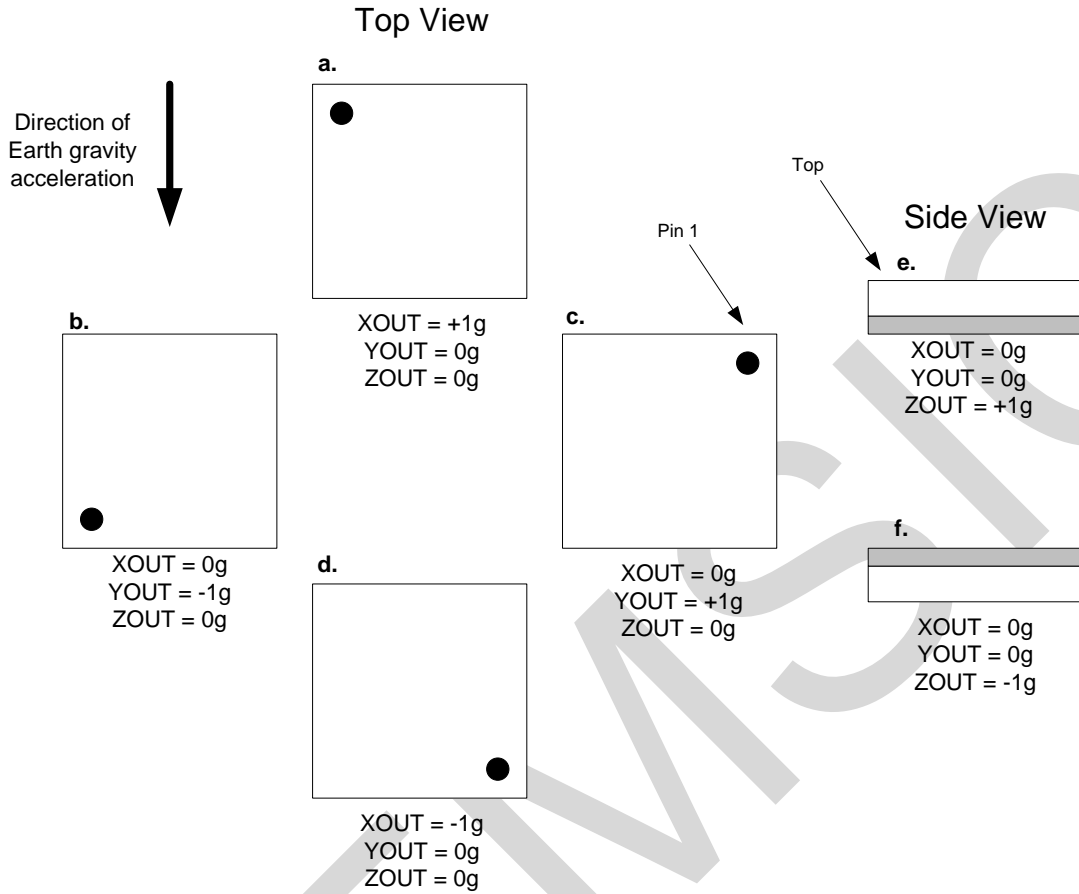


Figure 3. Package Orientation

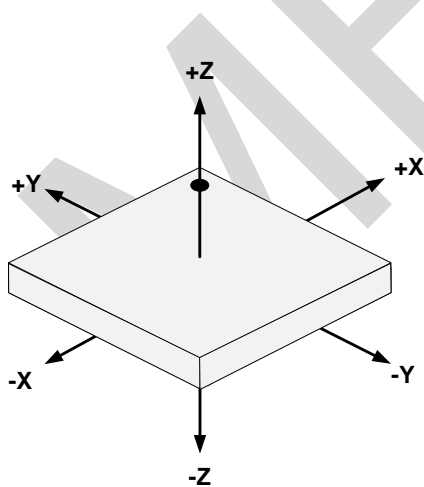


Figure 4. Package Axis Reference



### 3.3 PIN DESCRIPTION

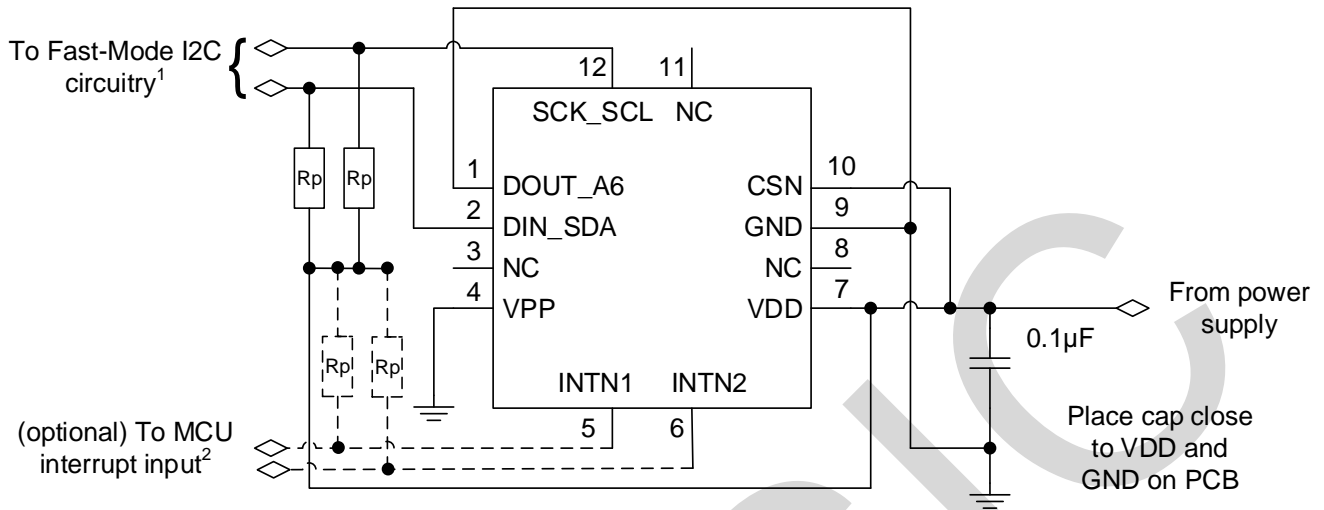
Pin	Name	Function
1	DOUT_A6	SPI data output I2C address bit 6
2	DIN_SDA <sup>1</sup>	SPI data In I2C serial data input/output
3	NC	No connect
4	VPP	Connect to GND
5	INTN 1 <sup>2</sup>	Interrupt active LOW <sup>3</sup>
6	INTN 2 <sup>2</sup>	Interrupt active LOW <sup>3</sup>
7	VDD	Power supply for internal
8	NC	No Connect
9	GND	Ground
10	CSN	SPI chip select (active low)
11	NC	No connect
12	SCK_SCL <sup>1</sup>	I2C/SPI serial clock input

**Table 3. Pin Description**

**Notes:**

- 1) This pin requires a pull-up resistor, typically 4.7kΩ to pin VDD. Refer to I2C Specification for Fast-Mode devices. Higher resistance values can be used (typically done to reduce current leakage) but such applications are outside the scope of this datasheet.
- 2) This pin can be configured by software to operate either as an open-drain output or push-pull output (see GPIO control register, address 0x33). If set to open-drain, then it requires a pull-up resistor, typically 4.7kΩ to VDD.
- 3) INTN pin polarity is programmable in the GPIO control register, address 0x33.

### 3.4 TYPICAL APPLICATION CIRCUITS

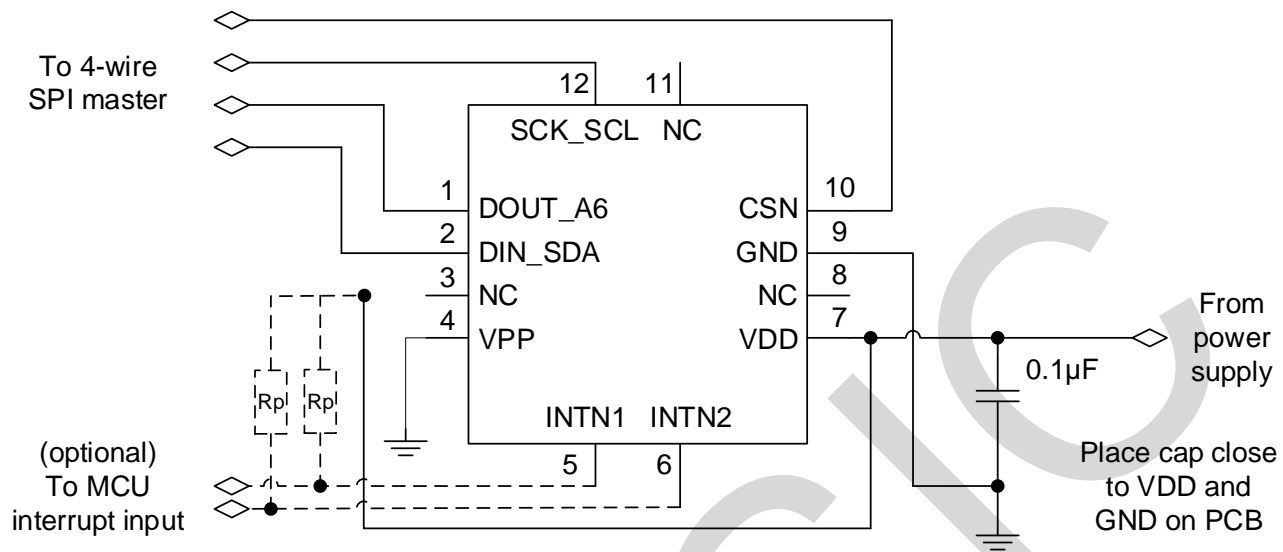


NOTE<sup>1</sup>:  $R_p$  are typically  $4.7\text{k}\Omega$  pullup resistors to VDDIO, per I2C specification. When VDDIO is powered down, DIN\_SDA and SCK\_SCL will be driven low by internal ESD diodes.

NOTE<sup>2</sup>: Attach typical  $4.7\text{k}\Omega$  pullup resistor if INTN is defined as open-drain.

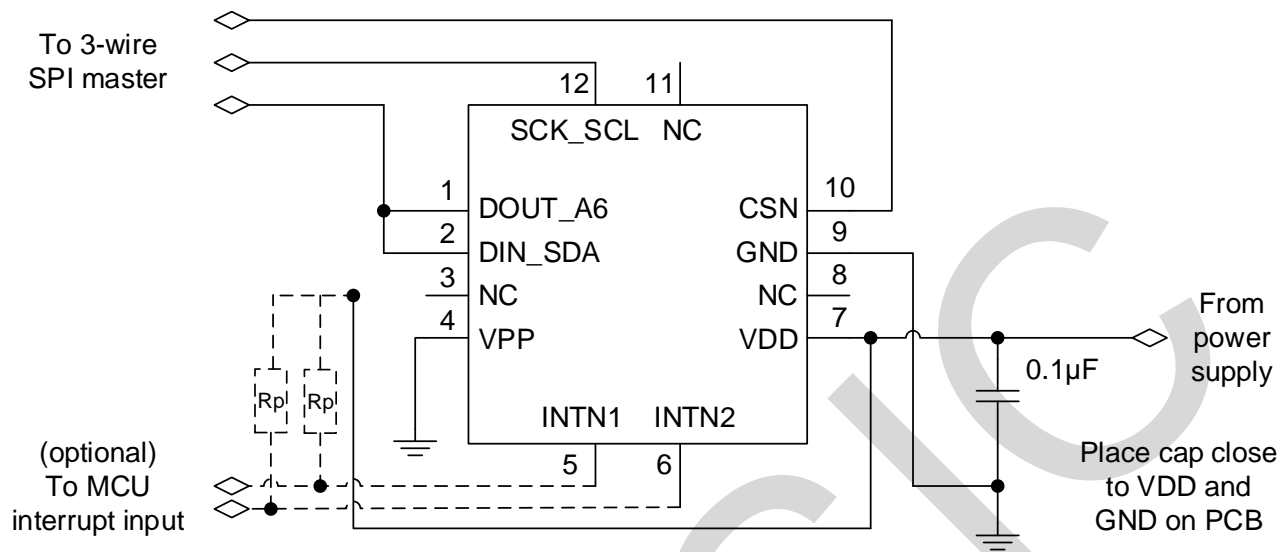
**Figure 5. Typical I2C Application Circuit**

In typical applications, the interface power supply may contain significant noise from external sources and other circuits which should be kept away from the sensor. Therefore, for some applications a lower-noise power supply might be desirable to power the VDD pin.



NOTE Rp: Attach typical 4.7kΩ pullup resistor if INTN is defined as open-drain.

**Figure 6. Typical 4-wire SPI Application Circuit**

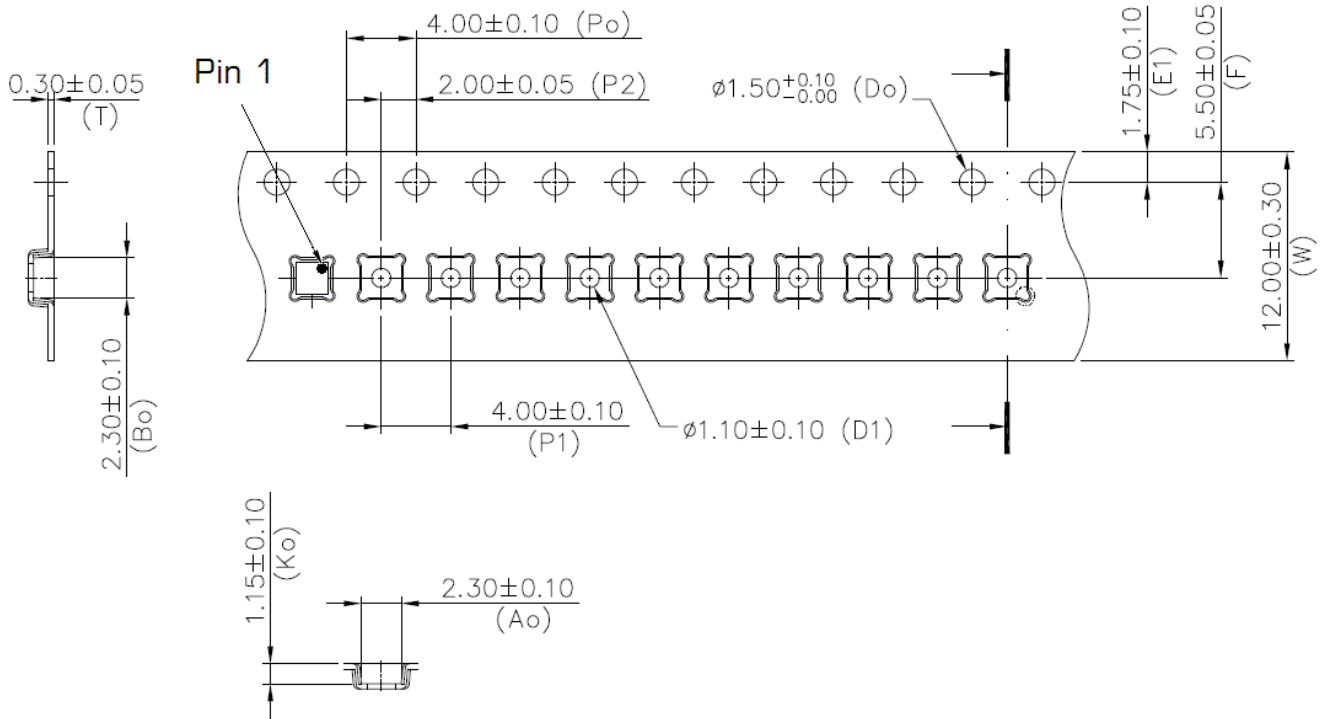


NOTE Rp: Attach typical 4.7kΩ pullup resistor if INTN is defined as open-drain.

**Figure 7. Typical 3-wire SPI Application Circuit**

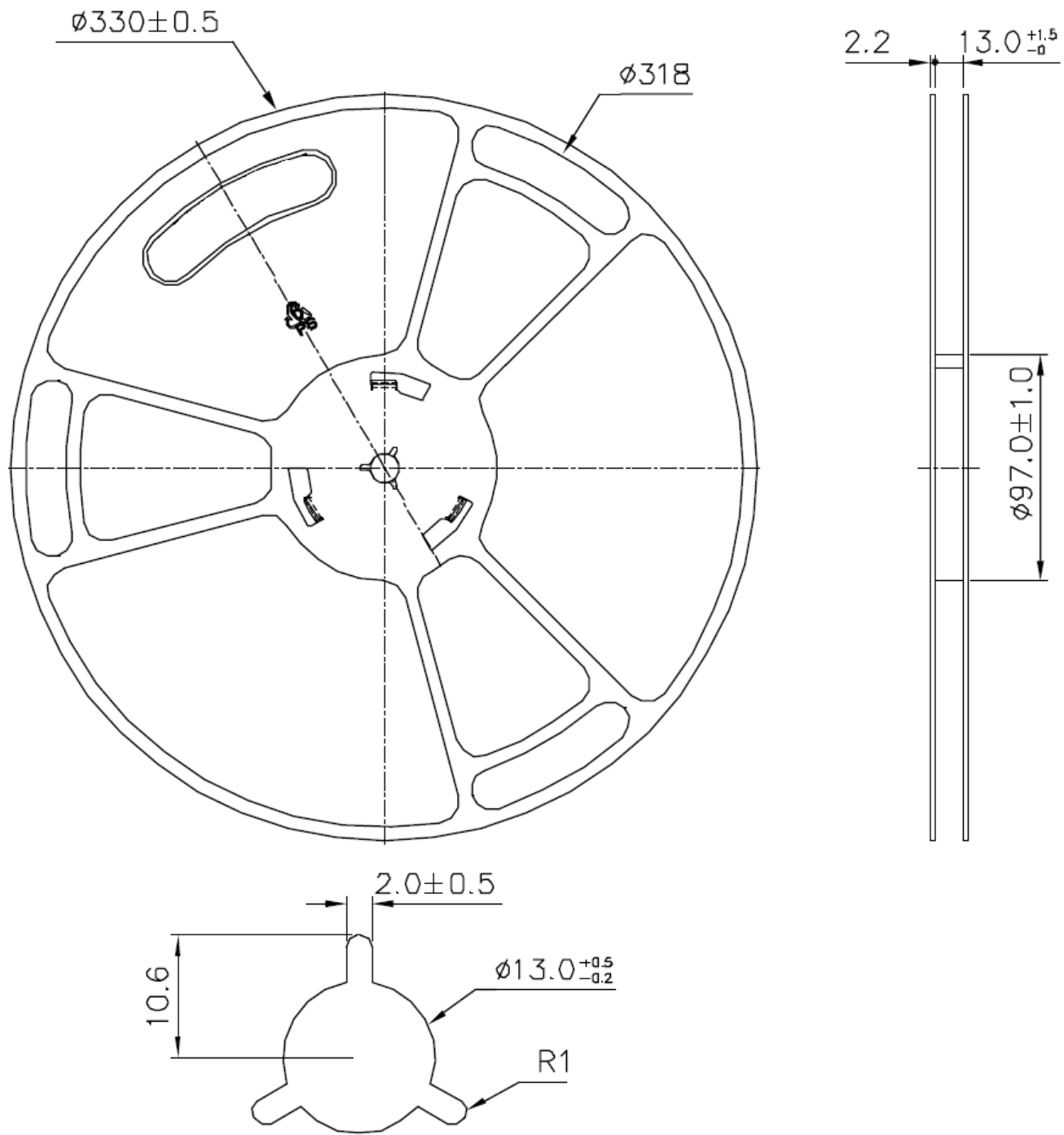
### 3.5 TAPE AND REEL

Devices are shipped in reels, in standard cardboard box packaging. See **Figure 8. MC3419 Tape Dimensions** and **Figure 9. MC3419 Reel Dimensions**.



- Dimensions in mm.
- 10 sprocket hole pitch cumulative tolerance  $\pm 0.2$
- Pocket position relative to sprocket hole measured as true position of pocket, not pocket hole.

**Figure 8. MC3419 Tape Dimensions**



- Dimensions in mm.

**Figure 9. MC3419 Reel Dimensions**

### 3.6 SOLDERING PROFILE

The LGA package follows the reflow soldering classification profiles described in *Joint Industry Standard, Moisture/Reflow Sensitivity Classification for Nonhermetic Surface Mount Devices*, document number J-STD-020E. Reflow soldering has a peak temperature ( $T_p$ ) of 260°C

### 3.7 SHIPPING AND HANDLING GUIDELINES

Shipping and handling follow the standards described in *Joint Industry Standard, Handling, Packing, Shipping and Use of Moisture/Reflow Sensitive Surface Mount Devices*, document number J-STD-033C.

The following are additional handling guidelines (refer to the MEMSIC document, PCB Design, Device Handling and Assembly Guidelines, for more information):

- While the mechanical sensor is designed to handle high-g shock events, direct mechanical shock to the package should be avoided.
- SMT assembly houses should use automated assembly equipment with either plastic nozzles or nozzles with compliant tips (for example, soft rubber or silicone).
- Avoid g-forces beyond the specified limits during transportation.
- Handling and mounting of sensors should be done in a defined and qualified installation.

### 3.8 MOISTURE SENSITIVITY LEVEL CONTROL

The following are storage recommendations (refer to the MEMSIC document, PCB Design, Device Handling and Assembly Guidelines, for more information):

- Store the tape and reel in the *unopened* dry pack, until required on the assembly floor.
- If the dry pack has been opened or the reel has been removed from the dry pack, reseal the reel inside of the dry pack with a black protective belt. Avoid crushing the tape and reel.
- Store the cardboard box in a vertical position.

## 4 SPECIFICATIONS

### 4.1 ABSOLUTE MAXIMUM RATINGS

Parameters exceeding the Absolute Maximum Ratings may permanently damage the device.

Rating	Symbol	Minimum / Maximum Value	Unit
Supply Voltages	Pin VDD	-0.3 / +3.6	V
Ambient operating temperature	T <sub>OP</sub>	-40 / +85	°C
Storage temperature	T <sub>STG</sub>	-40 / +125	°C
ESD human body model	HBM	± 2000	V
Latch-up current at T <sub>op</sub> = 25 °C	I <sub>LU</sub>	100	mA
Input voltage to non-power pin	Pins CSN, DIN_SDA, DOUT_A6, INTN 1, INTN 2, and SCK_SCL	-0.3 / (VDD + 0.3) or 3.6 whichever is lower	V

Table 4. Absolute Maximum Ratings



## 4.2 SENSOR CHARACTERISTICS

VDD = 2.8V, T<sub>op</sub> = 25 °C unless otherwise noted

Parameter	Conditions	Min	Typ	Max	Unit
Acceleration range			±2.0 ±4.0 ±8.0 ±12.0 ±16.0		g
Sensitivity	Acceleration range = ±2.0g		16384		LSB/g
	Acceleration range = ±4.0g		8192		
	Acceleration range = ±8.0g		4096		
	Acceleration range = ±12.0g		2730		
	Acceleration range = ±16.0g		2048		
Sensitivity Temperature Coefficient <sup>1</sup>	-40 ≤ T <sub>op</sub> ≤ +85 °C		±0.025		%/°C
Zero-g Offset	Chip Level		±20		mg
	Board Level		±50		
Zero-g Offset Temperature Coefficient <sup>1</sup>	-40 ≤ T <sub>op</sub> ≤ +85 °C		±1		mg/°C
RMS Noise	ODR = 125 Hz, LPF = ODR/16		0.7 (X,Y) 1.3 (Z)		mg RMS
Nonlinearity <sup>1</sup>	Acceleration range = ±2.0g		0.6		% FS
Cross-axis Sensitivity <sup>1</sup>	Between any two axes		±2		%
ODR, Output Data Rate		0.5		1000	Hz
<sup>1</sup> Values are based on device characterization, not tested in production.					

**Table 5. Sensor Characteristics**

## 4.3 ELECTRICAL AND TIMING CHARACTERISTICS

### 4.3.1 ELECTRICAL POWER AND INTERNAL CHARACTERISTICS

Parameter	Conditions	Symbol	Min	Typ	Max	Unit
Supply voltage <sup>1</sup>	Pin VDD	VDD	1.7		3.6	V
Sample Rate Tolerance <sup>2</sup>		Tclock	-2		2	%
<sup>1</sup> Min and Max limits are hard limits without additional tolerance. <sup>2</sup> Values are based on device characterization, not tested in production.						

Test condition: VDD = 2.8V, T<sub>op</sub> = 25 °C unless otherwise noted

Parameter	Conditions	Min	Typ	Max	Unit
Standby current			4		μA
WAKE state current	ODR = 100 Hz		77		μA
Pad Leakage	Per I/O pad	-1	0.01	1	μA
Wake-Up time			3		ms
Start-Up time			1/ODR+1mS		ms

**Table 6. Electrical Characteristics**

#### 4.3.2 ELECTRICAL CHARACTERISTICS

Parameter	Symbol	Min	Max	Unit
LOW level input voltage	VIL	-0.5	0.3*VDD	V
HIGH level input voltage	VIH	0.7*VDD	-	V
Hysteresis of Schmitt trigger inputs	Vhys	0.05*VDD	-	V
Output voltage, pin INTN 1 or INTN 2, Iol ≤ 2 mA	Vol	0	0.4	V
	Voh	0	0.9*VDD	V
Output voltage, pin DIN_SDA (open drain), Iol ≤ 1 mA	Vols	-	0.1*VDD	V
Input current, pins DIN_SDA and SCK_SCL (input voltage between 0.1*VDD and 0.9*VDD max)	Ii	-10	10	μA
Capacitance, pins DIN_SDA and SCL <sup>1</sup>	Ci	-	10	pF
<sup>1</sup> Values are based on device characterization, not tested in production.				

**Table 7. Electrical and Timing Characteristics - Interface**

#### NOTES:

- If multiple slaves are connected to the I2C signals in addition to this device, only 1 pull-up resistor on each of DIN\_SDA and SCK\_SCL should exist. Also, care must be taken to not violate the I2C specification for capacitive loading.
- When pin VDD is disconnected from power or ground (e.g. Hi-Z), the device may become inadvertently powered up through the ESD diodes present on other powered signals.

### 4.3.3 I2C TIMING CHARACTERISTICS

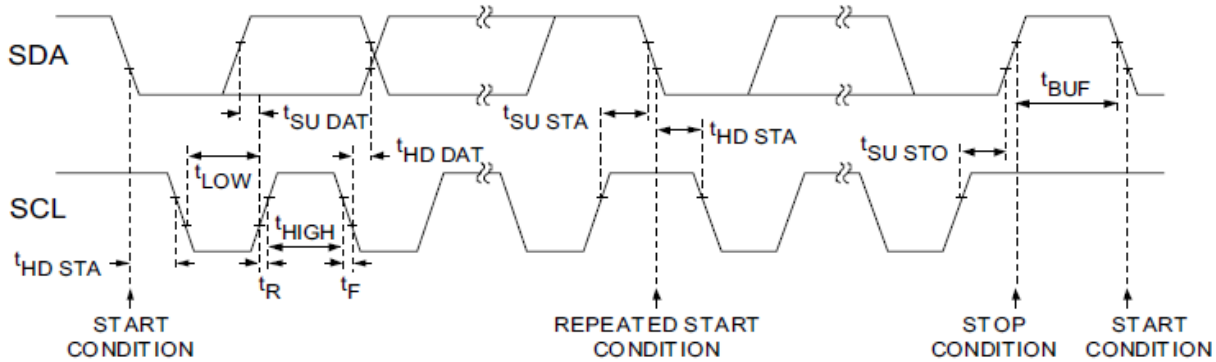


Figure 10. I2C Interface Timing

Parameter	Description	Standard Mode		Fast Mode		Fast Mode Plus		Units
		Min	Max	Min	Max	Min	Max	
$f_{SCL}$	SCL clock frequency	0	100	0	400	0	1000	kHz
$t_{HD;STA}$	Hold time (repeated) START condition	4.0	-	0.6	-	0.26	-	$\mu s$
$t_{LOW}$	LOW period of the SCL clock	4.7	-	1.3	-	0.5	-	$\mu s$
$t_{HIGH}$	HIGH period of the SCL clock	4.0	-	0.6	-	0.26	-	$\mu s$
$t_{SU;STA}$	Set-up time for a repeated START condition	4.7	-	0.6	-	0.26	-	$\mu s$
$t_{HD;DAT}$	Data hold time	5.0	-	-	-	-	-	$\mu s$
$t_{SU;DAT}$	Data set-up time	250	-	100	-	50	-	ns
$t_{SU;STO}$	Set-up time for STOP condition	4.0	-	0.6	-	0.26	-	$\mu s$
$t_{BUF}$	Bus free time between a STOP and START	4.7	-	1.3	-	0.5	-	$\mu s$

Table 8. I2C Timing Characteristics

NOTE: Values are based on I2C Specification requirements, not tested in production.

See also Section [10.3 I2C Message Format](#).

#### 4.3.4 SPI TIMING CHARACTERISTICS

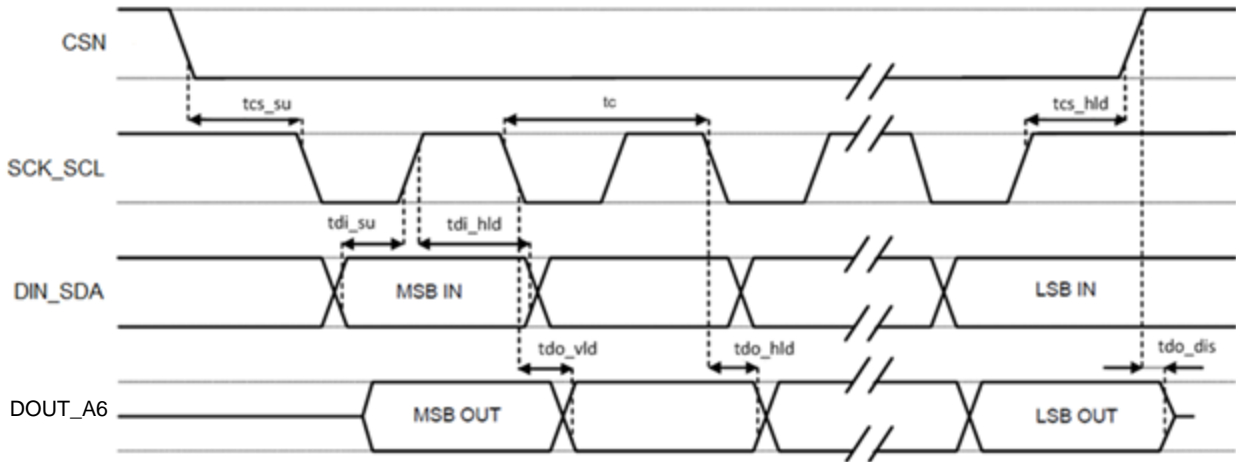


Figure 11. SPI Interface Timing Waveform

Symbol	Parameter	Value		Units
		Min	Max	
$t_c$	SPI SCK_SCL Clock Cycle	500		ns
$f_c$	SPI SCK_SCL Clock Frequency		10	MHz
$t_{cs\_su}$	SPI CSN Setup Time	6		ns
$t_{cs\_hld}$	SPI CSN Hold Time	8		ns
$t_{di\_su}$	SPI DIN_SDA Input Setup Time	5		ns
$t_{di\_hld}$	SPI DIN_SDA Input Hold Time	15		ns
$t_{do\_vld}$	SPI DOUT_A6 Valid Output Time		50	ns
$t_{do\_hld}$	SPI DOUT_A6 Output Hold Time	9		ns
$t_{do\_dis}$	SPI DOUT_A6 Output Disable Time		50	ns

Table 9. SPI Interface Timing Parameters

## 5 GENERAL OPERATION

The device supports the reading of samples and device status upon interrupt or by polling.

### 5.1 SENSOR SAMPLING

In the WAKE state, acceleration data for X, Y, and Z axes is sampled at a rate between 0.5 and 1000 samples/second. See the **Sample Rate Register** section.

The detectable acceleration range is variable and is set in the RANGE bits of the **range and scale control register**.

Resolution	Acceleration Range	Value per bit (mg/LSB)	Full Scale Negative Reading	Full Scale Positive Reading	Comments
16-bit	± 2g	~.061	0x8000 (-32768)	0x7FFF (+32767)	Signed 2's complement number, results in XOUT_EX, YOUT_EX, ZOUT_EX. The MSB is the sign bit.  (Integer interpretation also shown)
	± 4g	~.122			
	± 8g	~.244			
	± 12g	~.366			
	± 16g	~.488			

Table 10. Summary of Resolution, Range, and Scaling

### 5.2 OFFSET AND GAIN CALIBRATION

Digital offset and gain calibration can be performed on the sensor, if necessary, in order to reduce the effects of post-assembly influences and stresses which may cause the sensor readings to be offset from their factory values.

## 6 OPERATIONAL STATES

The device has two states of operation: STANDBY and WAKE. All states are controlled by the software, there is no automatic power control.

The device defaults to the STANDBY state following a power-up and must be in the WAKE state before executing a reset.

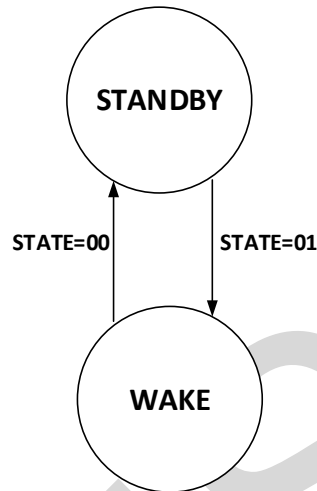
The time to change from the STANDBY to WAKE state takes one sample period (takes less than 10  $\mu$ s).

State	I2C/SPI Bus	Description
STANDBY	R/W	<ul style="list-style-type: none"> <li>• Lowest power consumption</li> <li>• Internal clocking is halted</li> <li>• No motion detection, sampling, or calibration</li> <li>• The I2C/SPI bus can read and write to registers (resolution, range, thresholds and other settings can be changed)</li> <li>• Reset not allowed</li> <li>• Default state after a power-up</li> </ul>
WAKE	R	<ul style="list-style-type: none"> <li>• Highest power consumption</li> <li>• Internal clocking is enabled</li> <li>• Continuous motion detection and sampling; automatic calibration is available</li> <li>• The I2C/SPI bus can only write to the mode register and read all other registers</li> <li>• Reset allowed</li> </ul>

Table 11. Operational States

## 7 OPERATIONAL STATE FLOW

**Figure 12. Operational State Flow** shows the operational state flow for the device. The device defaults to STANDBY following power-on.



**Figure 12. Operational State Flow**

The operation state may be read from the STATE bits of the **device status register**. The operational state may be forced to a specific state by writing into the STATE bits of the **mode register**, as shown below. Two bits are specified in order to promote software compatibility with other MEMSIC devices. The operational state will stay in the mode specified until changed.

Action	Setting	Effect
Force STANDBY State	STATE[1:0] = 00	<ul style="list-style-type: none"> <li>• Switch to the STANDBY state and stay there</li> <li>• Disable sensor and event sampling</li> </ul>
Force WAKE State	STATE[1:0] = 01	<ul style="list-style-type: none"> <li>• Switch to WAKE state and stay there</li> <li>• Continuous sampling</li> </ul>

**Table 12. Forcing Operational States**



## 8 INTERRUPTS

The sensor device utilizes output pin INTN 1 or INTN 2 to signal to an external microprocessor that an event has been detected. The microprocessor should contain an interrupt service routine which would perform certain tasks after receiving this interrupt and reading the associated status bits, perhaps after a sample was made ready. If interrupts are to be used, the microprocessor must set up the registers in the sensor so that when a specific event is detected, the microprocessor would receive the interrupt and the interrupt service routine would be executed. If polling is used, there is no need for the interrupt registers to be set up.

For products that use polling, the microprocessor must periodically poll the sensor and read the status data (the INTN 1 or INTN 2 pin is not used). For most applications, this is likely best done at the sensor sampling rate or faster.

**NOTE:** At least one I2C STOP condition must be present between samples for the sensor to update the sample data registers.

### 8.1 INTERRUPT OVERVIEW

Feature	Description	Comment
<b>Interrupt Pins</b>	Two interrupt pins are supported: INTN1 INTN2	INTN1 defaults to open-drain mode, active low polarity, and transitions on SAMPLE+MOTION interrupt events.  INTN2 defaults to open-drain mode, active low polarity, and transitions on FIFO interrupt events
<b>Interrupt Polarity</b>	INTN1 and INTN2 pins operate in open-drain and active-drive modes. The polarity of the interrupts is independently selectable.	The interrupt polarity/drive mode bits are in the GPIO control register 0x33.
<b>Interrupt Sources</b>	1 interrupt on sample 5 motion interrupts 3 FIFO interrupts	The default setting is to route SAMPLE+MOTION interrupt requests (INT1_REQ) to INTN1 pin and FIFO interrupt requests (INT2_REQ) to the INTN2 pin.
<b>Interrupt Servicing</b>	Interrupts may be cleared globally or individually. All interrupts are cleared by <b>writing</b> to register 0x14. FIFO interrupt bits are loaded in register 0x2F.	Global clearing is the default, use register 0x31 bit 6 (INDIV_INTR_CLR) to enable the individual interrupt clear option (bitmask mode). Read/writing to register 0x2F does not clear FIFO interrupts.
<b>Swapping or Combining Interrupt Requests</b>	INT1_REQ (sample + motion) and INT2_REQ (FIFO) may be swapped between the INTN1 and INTN2 pins or combined on a single INTN1 pin.	If all interrupts are combined in a single source, the pin to be used can still be chosen by using register 0x31 bit 4, INTN1 or INTN2.

Table 13. Interrupt Overview

## 8.2 ENABLING AND CLEARING INTERRUPTS

The **interrupt status register** (0x14) contains the bits for the sample acquisition interrupt ACQ\_INT and the motion interrupts. The FIFO interrupt status register (0x2F) contains the bits for the FIFO interrupts. The **interrupt enable register** (0x06) and FIFO control register (0x2D) determine if a flag event generates interrupts.

The interrupts are cleared and rearmed every time the interrupt status register (0x14) is written. Interrupts may be cleared globally or individually. See section 8.4 for more information.

When an event is detected, it is masked with a flag bit in the interrupt enable register, and then the corresponding status bit is set in the status registers.

The polarity and driving mode of the external interrupt signals may be chosen by setting the INTN1 or INTN2 IPP and IAH bits in the GPIO control register (0x33).

## 8.3 INTERRUPT SOURCES

### 8.3.1 ACQ\_INT INTERRUPT

The ACQ\_INT flag bit in the status registers is always active. This bit is cleared when it is read. When a sample has been produced, an interrupt will be generated only if the ACQ\_INT\_EN bit in the interrupt enable register is active. The frequency of the ACQ\_INT bit being set active is always the same as the sample rate.

### 8.3.2 TILT/FLIP (TILT\_INT, FLIP\_INT)

The TILT and FLIP flag bits in register 0x03/0x13 bit are active when the TILT/FLIP features are enabled by register 0x9 bit 0. The flag bits can transition quickly, so polled operation may be difficult. It is recommended to use the interrupt register 0x04/0x14 bits 0 or 1 instead. Note that the TILT and FLIP interrupt enables in register 0x06 bits [1:0] are separate, although there is a single control bit in register 0x09.

### 8.3.3 INTERRUPT ON ANYMOTION (ANYM\_INT)

The ANYM flag bit in register 0x03/0x13 bit is active when the ANYM feature is enabled by register 0x9 bit 2. The flag bit can transition quickly, so polled operation may be difficult. It is recommended to use the interrupt in register 0x04/0x14 bit 2 instead. Note that the SHAKE and TILT\_35 interrupts require the ANYM feature to be enabled in register 0x09 bit 2, but the ANYM interrupt enable in register 0x06 bit 2 is not required.

### 8.3.4 INTERRUPT ON SHAKE (SHAKE\_INT)

The SHAKE flag bit in register 0x03/0x13 bit is active when the SHAKE feature is enabled by register 0x9 bit 3. The flag bit can transition quickly, so polled operation may be difficult. It is recommended to use the interrupt register 0x04/0x14 bit 3 instead. Note that the SHAKE interrupt requires the ANYM feature to be enabled in register 0x09 bit 2, but the ANYM interrupt enable in register 0x06 bit 2 is not required.

### 8.3.5 INTERRUPT ON TILT\_35 (TILT\_35\_INT)

The TILT\_35 flag bit in register 0x03/0x13 bit is active when the SHAKE feature is enabled by register 0x9 bit 4. The flag bit can transition quickly, so polled operation may be difficult. It is recommended to use the interrupt register 0x04/0x14 bit 4 instead. Note that the TILT\_35 interrupt requires the ANYM feature to be enabled in register 0x09 bit 2, but the ANYM interrupt enable in register 0x06 bit 2 is not required.

### 8.3.6 INTERRUPT ON FIFO EMPTY (FIFO\_EMPTY\_INT)

The FIFO\_EMPTY flag bit in register 0x0A bit 0 is active when the FIFO enable (FIFO\_EN) control is enabled in register 0x2D bit 5. The FIFO\_EMPTY flag will be set to '1' following a POR or SW\_RESET because the default state of the FIFO is empty. Note that the FIFO\_EMPTY bit may transition on any write or read to the FIFO. The FIFO\_EMPTY\_INT\_EN interrupt control bit is at register 0x2D bit 0. No bits in register 0x06 are required to be set.

### 8.3.7 INTERRUPT ON FIFO FULL (FIFO\_FULL\_INT)

The FIFO\_FULL flag bit in register 0x0A bit 1 is active when the FIFO enable (FIFO\_EN) control is enabled in register 0x2D bit 5. The FIFO\_FULL flag will be set to '0' following a POR or SW\_RESET because the default state of the FIFO is empty. Note that the FIFO\_FULL bit may transition on any write or read to the FIFO. The FIFO\_FULL\_INT\_EN interrupt control bit is at register 0x2D bit 1. No bits in register 0x06 are required to be set.

### 8.3.8 INTERRUPT ON FIFO THRESHOLD (FIFO\_THRESH\_INT)

The FIFO\_THRESH flag bit in register 0x0A bit 2 is active when the FIFO enable (FIFO\_EN) control is enabled in register 0x2D bit 5. The FIFO\_THRESH flag will be set to '0' following a POR or SW\_RESET because the default state of the FIFO is empty, and the default threshold level is a count of 16 samples (located in register 0x2E). Note that the FIFO\_THRESH bit may transition on any write or read to the FIFO when a threshold level is crossed. The FIFO\_THRESH\_INT\_EN interrupt control bit is at register 0x2D bit 2. No bits in register 0x06 are required to be set.

## 8.4 INTERRUPT SERVICING

The MC3419 offers two methods for software to clear interrupts, and three operational modes.

Methods:

- Global Method: Software may globally clear all pending interrupts.
- Bitmask/Individual Method: Software may individually clear specific interrupts.

Modes:

- Mode 1 Latched: software clears any/all pending interrupts.
- Mode 2 Temp Latched: software clears interrupts or the temp\_latch timer feature in register 0x4A clears interrupts on a selected time out period.
- Mode 3 Auto-Clear: software clears interrupts or hardware auto-clears interrupts.

Note that some interrupts are not supported in Modes 2 or 3 (see Table 14 and Table 15 below). Please contact MEMSIC for more information.

### 8.4.1 GLOBAL INTERRUPT SERVICE METHOD

Global mode (register 0x31 bit 6 = 0) is the default means for servicing interrupts. In this mode any write to registers 0x04 or 0x14 will clear \*any\* pending interrupts, including the FIFO interrupts in register 0x2F. The contents of the write cycle to registers 0x04/0x14 is ignored, but the address is used to generate the clear pulse. The table below shows how the interrupt sources behave in the three modes of interrupt operations. **Note that the FIFO interrupts only operate in Mode 1.**

### 8.4.2 BITMASK/INDIVIDUAL INTERRUPT SERVICE METHOD

Bitmask/individual mode is enabled by setting register 0x31 bit 6 to '1'. **In this mode, register 0x04 is not used to clear interrupts, only register 0x14.** The contents of the write cycle to register 0x14 determine which interrupts are cleared (0 = no change, 1 = clear). Writing to register 0x14 bit 5 clears all pending FIFO interrupt flags in 0x2F (e.g. the single FIFO\_INTR bit at register 0x14 bit 5 is a combined FIFO interrupt clear). The table below shows how the interrupt sources behave in the three modes of interrupt operations. **Note that the FIFO interrupts only operate in Mode 1.**

Mode of Operation		ACQ_INT	TILT_35_INT	SHAKE_INT	ANYM_INT	FLIP_INT	TILT_INT
Mode 1 Latched	Set	End of Z-axis processing	TILT_35 condition has exceeded TILT_35 duration (1.6 to 3.0s). ANYM enable required.	SHAKE_INT peak threshold and duration have been met. ANYM enable required.	ANYM lock status met and relative threshold exceeded.	TF threshold exceeded and debounce count met for TILT to FLIP transitions.	TF threshold exceeded and debounce count met for FLAT to TILT or FLIP to TILT transitions.
	Clear	Write to 0x14	Write to 0x14	Write to 0x14	Write to 0x14	Write to 0x14	Write to 0x14
Mode 2 Temp Latch	Set	End of Z-axis processing	TILT_35 condition has exceeded TILT_35 duration (1.6 to 3.0s).	SHAKE_INT peak threshold and duration have	ANYM lock status met and relative threshold exceeded.	TF threshold exceeded and debounce count	TF threshold exceeded and debounce count met for FLAT to

			ANYM enable required.	been met. ANYM enable required.		met for TILT to FLIP transitions.	TILT or FLIP to TILT transitions.
	Clear	Temp latch period timeout or write to 0x14	Temp latch period timeout or write to 0x14	Temp latch period timeout or write to 0x14	Temp latch period timeout or write to 0x14	Temp latch period timeout or write to 0x14	Temp latch period timeout or write to 0x14
<b>Mode 3 Auto-Clear</b>	Set	End of Z-axis processing	TILT_35 condition has exceeded TILT_35 duration (1.6 to 3.0s). ANYM enable required.	SHAKE_INT peak threshold and duration have been met. ANYM enable required.	ANYM lock status met and relative threshold exceeded.	TF threshold exceeded and debounce count met for TILT to FLIP transitions.	TF threshold exceeded and debounce count met for FLAT to TILT or FLIP to TILT transitions.
	Clear	Beginning of Z-axis accumulation, or write to 0x14	Cleared when condition ends or is reset by hardware, or write to 0x14	Cleared when condition ends or is reset by hardware, or write to 0x14	Cleared when condition ends or is reset by hardware, or write to 0x14	Cleared when condition ends or is reset by hardware, or write to 0x14	Cleared when condition ends or is reset by hardware, or write to 0x14

**Table 14. Interrupt servicing details (Motion + Sample)**

Mode of Operation		FIFO_THRESH	FIFO_FULL	FIFO_EMPTY
<b>Mode 1 Latched</b>	Set	FIFO sample count equals or exceeds the FIFO threshold count in register 0x2E.	FIFO has 32 samples; hardware writes to the FIFO in WAKE mode and FIFO_EN = 1.	FIFO has 0 samples. Reading the FIFO at register 0xD with I2C/SPI removes 1 or more samples.
	Clear	Write to 0x14	Write to 0x14	Write to 0x14

**Table 15. Interrupt servicing details (FIFO)**

## 8.5 INTERRUPT REQUESTS AND EXTERNAL INT PINS

MC3419 has two pins which support external interrupts. Each pin may be separately configured as open-drain or active drive and the polarity is programmable. The drive and polarity control is loaded in the GPIO Control register 0x07 to register 0x33.

By default the sample + motion interrupt request is routed to the INTN1 pin, and FIFO interrupt request is routed to the INTN2 pin. These requests may be swapped between the INTN1 pin and INTN2 pin or combined on a single pin.

### 8.5.1 SELECTING DRIVE AND POLARITY

The drive mode (open-drain or push/pull) are controlled by register 0x33 bits 7:6 and 3:2.

Addr	Name	Description	Bit								POR Value	R/W
			7	6	5	4	3	2	1	0		
0x33	GPIO_CTRL	GPIO Control Register	GPIO2_INTN2_IPP	GPIO2_INTN2_IAH	Resv	Resv	GPIO1_INTN1_IPP	GPIO1_INTN1_IAH	Resv	Resv	0x00	RW

**Table 16. GPIO Control Register**

Bit	Name	Function	Description
2	GPIO1_INTN1_IAH	Set polarity of INTN1 output.	0: The INTN1 pin is active low. 1: The INTN1 pin is active high.  This bit sets the polarity level of the INTN1 pin. This bit is used in interrupt mode to set the level of the interrupt request.
3	GPIO1_INTN1_IPP	Select open drain or push/pull mode for INTN1.	0: The INTN1 pin operates in open-drain mode as an output and requires an external pullup to VDD. 1: The INTN1 pin operates in push-pull mode as an output.  This bit sets the drive mode of the INTN1 pin as an interrupt request output.
6	GPIO2_INTN2_IAH	Set polarity of INTN2 output.	0: The INTN2 pin is active low. 1: The INTN2 pin is active high.  This bit sets the polarity level of the INTN2 pin. This bit is used in interrupt mode to set the level of the interrupt request.
7	GPIO2_INTN2_IPP	Select open drain or push/pull mode for INTN2.	0: The INTN2 pin operates in open-drain mode as an output and requires an external pullup to VDD. 1: The INTN2 pin operates in push-pull mode as an output.  This bit sets the drive mode of the INTN2 pin as an interrupt request output.

**Table 17. Interrupt drive and polarity control**

### 8.5.2 SWAPPING INT PINS

The interrupt requests driving the INTN1 and INTN2 pins may be swapped. Setting register 0x31 bit 4 to '1' (INT1\_INT2\_REQ\_SWAP) internally swaps the INT1\_REQ and INT2\_REQ signals in the MC3419. To clarify, the requests are swapped, but the bits controlling the INTN1 and INTN2 pin mode, drive, and polarity are not.

Bit	Name	Function	Description
4	INT1_INT2_REQ_SWAP	Swap INT1 and INT2 pin functionality.	0: INT1 requests are routed to the INTN1 pin, INT2 requests are routed to the INT2 pin (default). 1: INT1 requests are routed to the INTN2 pin, INT2 requests are routed to the INTN1 pin

**Table 18. Swapping Interrupt Requests, register 0x31 bit 4**

### 8.5.3 COMBINING INTERRUPT REQUESTS

The separate internal interrupt requests (INT1\_REQ or motion + sample, and INT2\_REQ or FIFO) may be combined into a single request that appears on one pin. Setting register 0x2D bit 3 (COMB\_INT\_EN) to '1' combines both requests on INT1\_REQ that is routed to the INTN1 pin. To move it to the INTN2 pin, use the pin "swap" feature described in the previous section.

Bit	Name	Function	Description
3	COMB_INT_EN	Combined interrupt enable.	0: Motion/interrupt on sample interrupts are routed to INTN1, and FIFO interrupts are routed to INTN2. (default). 1: All interrupts are routed to INTN1.  When the COMB_INT_EN bit is set, all interrupts requests are routed to INT1_REQ internally. INT2_REQ becomes disabled.

**Table 19. Combining interrupt requests, register 0x2D bit 3**

## 9 SAMPLING

### 9.1 CONTINUOUS SAMPLING

The device has the ability to read all sampled readings in a continuous sampling fashion. The device always updates the XOUT, YOUT, and ZOUT registers at the chosen output data rate.

An optional interrupt can be generated each time the sample registers have been updated (using the ACQ\_INT bit in the interrupt enable register). See the ACQ\_INT Interrupt section or status register for more information about ACQ\_INT.

### 9.2 SETTING THE SAMPLE RATE

The MC3419 supports eight sample rates using I2C or SPI interfaces. When decimation mode is disabled, the table below shows the “internal data rate” (IDR) which is the same as ODR (ODR = IDR). The sample rate register (0x08) selects the WAKE mode sample rate.

If the I2C interface is selected or if the SPI clock frequency is 4 MHz or less, use the register 0x08 settings as shown in the “Selection A” column below. If the SPI clock frequency is 4 MHz to 10 MHz, use the register 0x08 settings as shown in the “Selection B” column below.

Rate	I2C or SPI I2C Speed ≤ 1MHz or SPI Speed ≤ 4MHz		SPI Only 4MHz < SPI Speed ≤ 10MHz	
	IDR = ODR (Hz)	Register 0x08 Selection A	IDR = ODR (Hz)	Register 0x08 Selection B
0	25	0x10	50	0x08
1	50	0x11	62.5	0x09
2	62.5	0x12	100	0x0A
3	100	0x13	125	0x0B
4	125	0x14	250	0x0C
5	250	0x15	500	0x0D
6	500	0x16	1000	0x0E
7	1000	0x17	-	-

Table 20. Sample Rate Settings



### 9.3 ADDITIONAL RATE OPTIONS

The MC3419 can generate slower sample rates from the frequencies listed in Table 20. When decimation mode is enabled the “internal data rate” (IDR) is divided by a fixed ratio to obtain an ODR or “output data rate”. If decimation mode is not enabled (default), the IDR and ODR are the same frequency. The FIFO control 2/sample rate 2 register (0x30) selects the ratio used for decimation mode.

Bits	Name	Function	Description
3:0	DEC_MODE_RATE[3:0]	Decimation mode rate selection.	<p>0000: Decimation mode disabled (default).            0001: Divide sample rate by 2            0010: Divide sample rate by 4            0011: Divide sample rate by 5            0100: Divide sample rate by 8            0101: Divide sample rate by 10            0110: Divide sample rate by 16            0111: Divide sample rate by 20            1000: Divide sample rate by 40            1001: Divide sample rate by 67            1010: Divide sample rate by 80            1011: Divide sample rate by 100            1100: Divide sample rate by 200            1101: Divide sample rate by 250            1110: Divide sample rate by 500            1111: Divide sample rate by 1000</p> <p>When decimation mode is enabled, the internal data rate (IDR) is divided by the above factor to create a slower output data rate (ODR). The FIFO, motion block, output registers, and interrupts operate off the slower ODR when decimation mode is on.</p> <p>If decimation mode is disabled, then the IDR and ODR are the same value.</p>

**Table 21. Hardware Decimation Ratios**

The FIFO, motion events, and interrupts operate at the decimated rate (output data rate) when decimation mode is enabled. The low pass filter always operates at the internal data rate whether decimation mode is on or off.

Please contact MEMSIC for more information.

# 10 I2C INTERFACE

## 10.1 PHYSICAL INTERFACE

The I2C slave interface operates at a maximum speed of 1 MHz. The SDA (data) is an open-drain, bi-directional pin and the SCL (clock) is an input pin.

**Note:** The device always operates as an I2C slave.

An I2C master initiates all communication and data transfers and generates the SCL clock that synchronizes the data transfer. The I2C device address depends upon the state of the DOUT\_A6 pin during power-up as shown in the table below.

An optional I2C watchdog timer can be enabled to prevent bus stall conditions. See the **Watchdog Timer** section for more information.

7-bit Device ID	8-bit Address – Write	8-bit Address – Read	DOUT_A6 level upon power-up
0x4C (0b1001100)	0x98	0x99	GND
0x6C (0b1101100)	0xD8	0xD9	VDD

**Table 22. I2C Address Selection**

The I2C interface remains active as long as power is applied to the VDD pin. In the STANDBY state, the device responds to I2C read and write cycles, but interrupts cannot be serviced or cleared. All registers can be written in the STANDBY state, but in the WAKE state, only the **mode register** can be modified (see the **Operational States** section for more information).

Internally, the registers which are used to store samples are clocked by the sample clock gated by I2C activity. Therefore, in order to allow the device to collect and present samples in the sample registers, at least one I2C STOP condition must be present between samples.

Refer to the I2C specification for a detailed discussion of the protocol. Per I2C requirements, SDA is an open drain, bi-directional pin. SCL and SDA each require an external pull-up resistor, typically 4.7kΩ.

## 10.2 TIMING

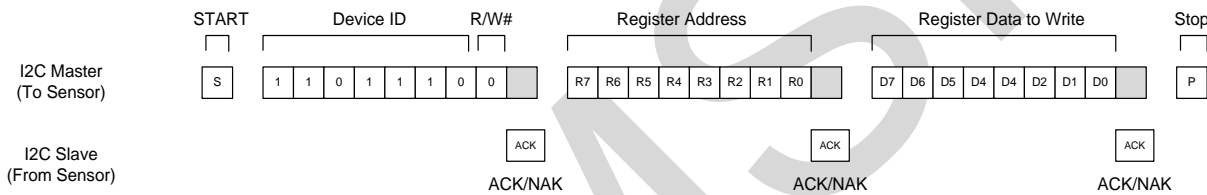
See the [I2C Timing Characteristics](#) section for I2C timing requirements.

## 10.3 I2C MESSAGE FORMAT

**Note:** At least one I2C STOP condition must be present between samples in order for the sensor to update the sample data registers.

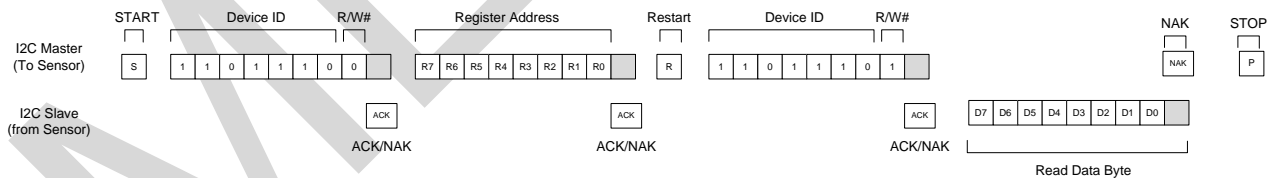
The device uses the following general format for writing to the internal registers: The I2C master generates a START condition and then supplies the 7-bit device ID. The 8<sup>th</sup> bit is the R/W# flag (write cycle = 0). The device pulls SDA low during the 9<sup>th</sup> clock cycle indicating a positive ACK.

The second byte is the 8-bit register address of the device to access. The last byte is the data to write.



**Figure 13. I2C Message Format, Write Cycle, Single Register Write**

In a read cycle, the I2C master generates a START condition and then writes the device ID, R/W# flag (write cycle = 0), and register address. The master issues a RESTART condition and then writes the device ID with the R/W# flag set to '1'. The device shifts out the contents of the register address.



**Figure 14. I2C Message Format, Read Cycle, Single Register Read**

The I2C master may write or read consecutive register addresses by writing or reading additional bytes after the first access. The device will internally increment the register address.

## 10.4 I2C WATCHDOG TIMER

The I2C watchdog timer, when enabled (see the **mode register**), prevents bus stall conditions when the master does not provide enough clocks to the slave to complete a read cycle. The I2C watchdog timer does not resolve why the master did not provide enough clocks to complete a read cycle, but it does prevent a slave from holding the bus indefinitely.

During a read cycle, the slave that is actively driving the bus (SDA pin) does not release the bus until nine SCL clock edges are detected. While the SDA pin is held low by a slave open-drain output, any other I2C devices attached to the bus will not be able to communicate. If the slave does not see nine SCL clocks from the master within the timeout period (about 200 ms), the slave assumes a system problem has occurred and resets the I2C circuitry, releases the SDA pin, and readies the sensor for additional I2C commands.

When an I2C watchdog timer event is triggered, the I2C\_WDT bit in the **device status register** is activated by the Watchdog timer hardware. No other registers are changed. External software can detect this activation by reading the I2C\_WDT bit. Reading the **device status register** (0x05) clears the I2C\_WDT bit.

# 11 SPI INTERFACE

## 11.1 SPI PHYSICAL INTERFACE

The device always operates as an SPI slave. An SPI master must initiate all communication and data transfers and generate the SCK\_SCL clock that synchronizes the data transfer. The CSN pin must be pulled up to VDD when the SPI interface is not in use. The SPI interface can operate in 3-wire or 4-wire mode. See section 9.2 for SPI clock selection and Output Data Rate, ODR.

## 11.2 SPI PROTOCOL

**An SPI write transaction requires a minimum of 16 clock cycles, and a SPI read transaction requires a minimum of 24 cycles of the SCK\_SCL pin.** The falling edge of CSN initiates the start of the SPI bus cycle. When the SPI master is writing data to the MC3419 via the SPI DIN pin, data may change when the SCL\_SCK is low, and must be stable on the rising edge. Similarly, output data written from MC3419 to the SPI master is shifted out on the SPI DOUT pin on the falling edge of SCL\_SCK and can be latched by the master on the rising edge of SCL\_SCK. Serial data in or out of the device is always MSB first.

## 11.3 SPI REGISTER WRITE CYCLE - SINGLE

A single register write consists of a 16-clock transaction. As described above, the first bit is set to '0' indicating a register write followed by the register address.

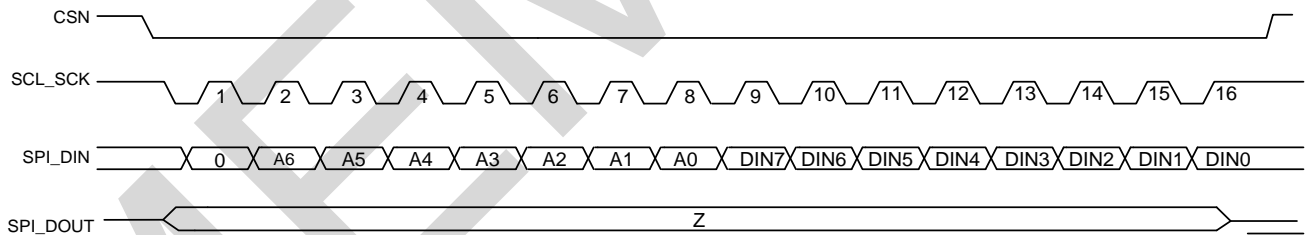
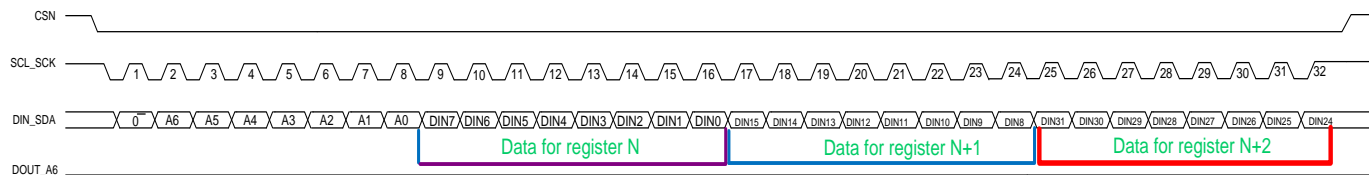


Figure 15. SPI Register Write Cycle - Single

## 11.4 SPI REGISTER WRITE CYCLE - BURST

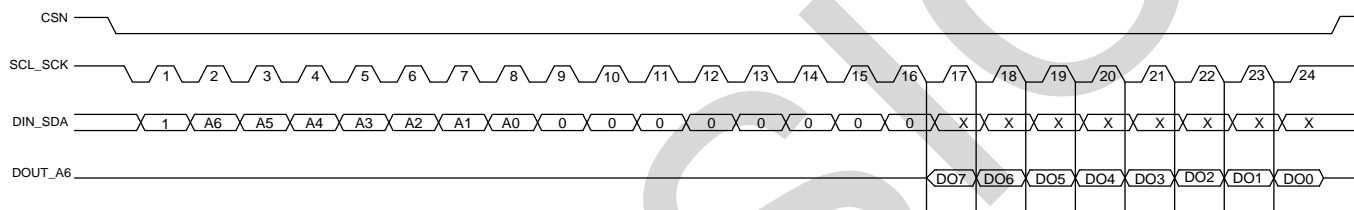
A burst (multi-byte) register write cycle uses the address specified at the beginning of the transaction as the starting register address. Internally the address will auto-increment to the next consecutive address for each additional byte (8-clocks) of data written beyond clock 8.



**Figure 16. SPI Register Write Cycle - Burst (3-register burst example)**

## 11.5 SPI REGISTER READ CYCLE - SINGLE

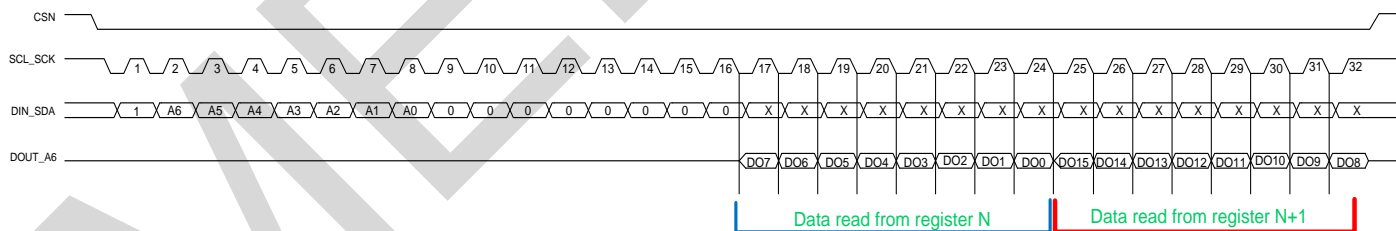
A single register read consists of a 24-clock transaction. As described above, the first bit is set to '1' indicating a register read followed by the register address.



**Figure 17. SPI Register Read Cycle - Single**

## 11.6 SPI REGISTER READ CYCLE - BURST

A burst (multi-byte) register read cycle uses the address specified at the beginning of the transaction as the starting register address. Internally the address will auto-increment to the next consecutive address for each additional byte (8-clocks) of data read beyond clock 8.



**Figure 18. SPI Register Read Cycle - Burst (2 register burst example)**

## 12 REGISTER INTERFACE

The device has a register interface which allows an MCU, I2C or SPI master to configure and monitor all aspects of the device. This section lists an overview of user programmable registers. By convention, bit 0 is the least significant bit (LSB) of a byte register.

### 12.1 REGISTER SUMMARY

**NOTE:** Registers are not updated with new event status or samples while an I2C or SPI cycle is in process.

Addr	Name	Description	Bit 7	Bit 6	Bit 5	Bit 4	Bit 3	Bit 2	Bit 1	Bit 0	POR Value	R/W <sup>1</sup>
0x00 – 0x04			RESERVED <sup>2</sup>									
0x05	DEV_STAT	<b>Device Status Register</b>	OTP_BUSY	SEC_ENA (TMODE)	RESV	I2C_WDT	RESV	RES_MODE	STATE[1]	STATE[0]	0x00	R
0x06	INTR_CTRL	<b>Interrupt Enable</b>	ACQ_INT_EN	AUTO_CLR_EN	Resv	TILT_35_INT_EN	SHAKE_INT_EN	ANYM_INT_EN	FLIP_INT_EN	TILT_INT_EN	0x00	W
0x07	MODE	<b>Mode</b>	RESV	RESV	I2C_WDT_POS	I2C_WDT_NEG	RESV	0 <sup>3</sup>	STATE1	STATE0	0x00	W
0x08	SR	<b>Sample Rate</b>	0 <sup>3</sup>	0 <sup>3</sup>	0 <sup>3</sup>	0 <sup>3</sup>	0 <sup>3</sup>	RATE[2]	RATE[1]	RATE[0]	0x00	W
0x09	MOTION_CTRL	<b>Motion Control</b>	MOTION_RESET	RAW_PROC_STAT	Z_AXIS_ORT	TILT_35_EN	SHAKE_EN	ANYM_EN	MOTION_LATCH	TF_ENABLE	0x00	W
0x0A	FIFO_STAT	<b>FIFO Status Register</b>	RESV	RESV	RESV	RESV	RESV	FIFO_THRESH	FIFO_FULL	FIFO_EMPTY	0x00	RO
0x0B	FIFO_RD_P	<b>FIFO Read Pointer</b>	RESV	RESV	FIFO_RD_PTR[5]	FIFO_RD_PTR[4]	FIFO_RD_PTR[3]	FIFO_RD_PTR[2]	FIFO_RD_PTR[1]	FIFO_RD_PTR[0]	0x00	RO
0x0C	FIFO_WR_P	<b>FIFO Write Pointer</b>	RESV	RESV	FIFO_WR_PTR[5]	FIFO_WR_PTR[4]	FIFO_WR_PTR[3]	FIFO_WR_PTR[2]	FIFO_WR_PTR[1]	FIFO_WR_PTR[0]	0x00	RO
0x0D	XOUT_EX_L	<b>XOUT Accelerometer Data LSB</b>	XOUT_EX[7]	XOUT_EX[6]	XOUT_EX[5]	XOUT_EX[4]	XOUT_EX[3]	XOUT_EX[2]	XOUT_EX[1]	XOUT_EX[0]	0x00	R
0x0E	XOUT_EX_H	<b>XOUT Accelerometer Data MSB</b>	XOUT_EX[15]	XOUT_EX[14]	XOUT_EX[13]	XOUT_EX[12]	XOUT_EX[11]	XOUT_EX[10]	XOUT_EX[9]	XOUT_EX[8]	0x00	R
0x0F	YOUT_EX_L	<b>YOUT Accelerometer Data LSB</b>	YOUT_EX[7]	YOUT_EX[6]	YOUT_EX[5]	YOUT_EX[4]	YOUT_EX[3]	YOUT_EX[2]	YOUT_EX[1]	YOUT_EX[0]	0x00	R
0x10	YOUT_EX_H	<b>YOUT Accelerometer Data MSB</b>	YOUT_EX[15]	YOUT_EX[14]	YOUT_EX[13]	YOUT_EX[12]	YOUT_EX[11]	YOUT_EX[10]	YOUT_EX[9]	YOUT_EX[8]	0x00	R
0x11	ZOUT_EX_L	<b>ZOUT Accelerometer Data LSB</b>	ZOUT_EX[7]	ZOUT_EX[6]	ZOUT_EX[5]	ZOUT_EX[4]	ZOUT_EX[3]	ZOUT_EX[2]	ZOUT_EX[1]	ZOUT_EX[0]	0x00	R
0x12	ZOUT_EX_H	<b>ZOUT Accelerometer Data MSB</b>	ZOUT_EX[15]	ZOUT_EX[14]	ZOUT_EX[13]	ZOUT_EX[12]	ZOUT_EX[11]	ZOUT_EX[10]	ZOUT_EX[9]	ZOUT_EX[8]	0x00	R
0x13	STATUS	<b>Status Register</b>	NEW_DATA	RESV	FIFO_FLAG	TILT_35_FLAG	SHAKE_FLAG	ANYM_FLAG	FLIP_FLAG	TILT_FLAG	0x00	R
0x14	INTR_STAT	<b>Interrupt Status Register</b>	ACQ_INT	RESV	FIFO_INT	TILT_35_INT	SHAKE_INT	ANYM_INT	FLIP_INT	TILT_INT	0x00	R
0x15 – 0x1F			RESERVED <sup>2</sup>									
0x20	RANGE	<b>Range Select Control</b>	0 <sup>3</sup>	RANGE[2]	RANGE[1]	RANGE[0]	LPF_EN	LPF[2]	LPF[1]	LPF[0]	0x00	W
0x21	XOFFL	<b>X-Offset LSB</b>	XOFF[7]	XOFF[6]	XOFF[5]	XOFF[4]	XOFF[3]	XOFF[2]	XOFF[1]	XOFF[0]	Per chip	W
0x22	XOFFH	<b>X-Offset MSB</b>	XGAIN[8]	XOFF[14]	XOFF[13]	XOFF[12]	XOFF[11]	XOFF[10]	XOFF[9]	XOFF[8]	Per chip	W

Addr	Name	Description	Bit 7	Bit 6	Bit 5	Bit 4	Bit 3	Bit 2	Bit 1	Bit 0	POR Value	R/W <sup>1</sup>
0x23	YOFFL	<u>Y-Offset LSB</u>	YOFF[7]	YOFF[6]	YOFF[5]	YOFF[4]	YOFF[3]	YOFF[2]	YOFF[1]	YOFF[0]	Per chip	W
0x24	YOFFH	<u>Y-Offset MSB</u>	YGAIN[8]	YOFF[14]	YOFF[13]	YOFF[12]	YOFF[11]	YOFF[10]	YOFF[9]	YOFF[8]	Per chip	W
0x25	ZOFFL	<u>Z-Offset LSB</u>	ZOFF[7]	ZOFF[6]	ZOFF[5]	ZOFF[4]	ZOFF[3]	ZOFF[2]	ZOFF[1]	ZOFF[0]	Per chip	W
0x26	ZOFFH	<u>Z-Offset MSB</u>	ZGAIN[8]	ZOFF[14]	ZOFF[13]	ZOFF[12]	ZOFF[11]	ZOFF[10]	ZOFF[9]	ZOFF[8]	Per chip	W
0x27	XGAIN	<u>X Gain</u>	XGAIN[7]	XGAIN[6]	XGAIN[5]	XGAIN[4]	XGAIN[3]	XGAIN[2]	XGAIN[1]	XGAIN[0]	Per chip	W
0x28	YGAIN	<u>Y Gain</u>	YGAIN[7]	YGAIN[6]	YGAIN[5]	YGAIN[4]	YGAIN[3]	YGAIN[2]	YGAIN[1]	YGAIN[0]	Per chip	W
0x29	ZGAIN	<u>Z Gain</u>	ZGAIN[7]	ZGAIN[6]	ZGAIN[5]	ZGAIN[4]	ZGAIN[3]	ZGAIN[2]	ZGAIN[1]	ZGAIN[0]	Per chip	W
0x2A -0x2C			RESERVED <sup>2</sup>									
0x2D	FIFO_CTRL	<u>FIFO Control Register</u>	0 <sup>3</sup>	FIFO_MODE	FIFO_EN	FIFO_RESET	COMB_INT_EN	FIFO_TH_INT_EN	FIFO_FULL_INT_EN	FIFO_EMPTY_INT_EN	0x00	W
0x2E	FIFO_TH	<u>FIFO Threshold Register</u>	RESV	RESV	RESV	FIFO_TH[4]	FIFO_TH[3]	FIFO_TH[2]	FIFO_TH[1]	FIFO_TH[0]	0x10	W
0x2F	FIFO_INTR	<u>FIFO Interrupt Status Register</u>	0 <sup>3</sup>	RESV	RESV	RESV	RESV	FIFO_THRESH_INT (RO)	FIFO_FULL_INT (RO)	FIFO_EMPTY_INT (RO)	0x00	R W
0x30	FIFO_CTRL2_SR2	<u>FIFO Control 2, Sample Rate 2 Register</u>	FIFO_BURST_MODE	0 <sup>3</sup>	SELECT_WRAP_ADDR	ENABLE_WRAP_N	DEC_MODE_RATE[3]	DEC_MODE_RATE[2]	DEC_MODE_RATE[1]	DEC_MODE_RATE[0]	0x00	W
0x31	COMM_CTRL	<u>Comm. Control Register</u>	0 <sup>3</sup>	INDIV_INTR_CLR	SPI_3WIRE_EN	INT1_INT2_REQ_SWAP	0 <sup>3</sup>	0 <sup>3</sup>	RESV	RESV	0x00	W
0x32			RESERVED <sup>2</sup>									
0x33	GPIO_CTRL	<u>GPIO Control Register</u>	INTN2_IPP	INTN2_IAH	RESV	RESV	INTN1_IPP	INTN1_IAH	RESV	RESV	0x00	W
0x34 -0x3F			RESERVED <sup>2</sup>									
0x40	TF_THRESH_LSB	<u>Tilt/Flip Threshold LSB</u>	TF_THR[7]	TF_THR[6]	TF_THR[5]	TF_THR[4]	TF_THR[3]	TF_THR[2]	TF_THR[1]	TF_THR[0]	0x00	W
0x41	TF_THRESH_MSB	<u>Tilt/Flip Threshold MSB</u>	RESV	TF_THR[14]	TF_THR[13]	TF_THR[12]	TF_THR[11]	TF_THR[10]	TF_THR[9]	TF_THR[8]	0x00	W
0x42	TF_DB	<u>Tilt/Flip Debounce</u>	TF_DB[7]	TF_DB[6]	TF_DB[5]	TF_DB[4]	TF_DB[3]	TF_DB[2]	TF_DB[1]	TF_DB[0]	0x00	W
0x43	AM_THRESH_LSB	<u>AnyMotion Threshold LSB</u>	ANYM_THR[7]	ANYM_THR[6]	ANYM_THR[5]	ANYM_THR[4]	ANYM_THR[3]	ANYM_THR[2]	ANYM_THR[1]	ANYM_THR[0]	0x00	W
0x44	AM_THRESH_MSB	<u>AnyMotion Threshold MSB</u>	RESV	ANYM_THR[14]	ANYM_THR[13]	ANYM_THR[12]	ANYM_THR[11]	ANYM_THR[10]	ANYM_THR[9]	ANYM_THR[8]	0x00	W
0x45	AM_DB	<u>AnyMotion Debounce</u>	ANYM_DB[7]	ANYM_DB[6]	ANYM_DB[5]	ANYM_DB[4]	ANYM_DB[3]	ANYM_DB[2]	ANYM_DB[1]	ANYM_DB[0]	0x00	W
0x46	SHK_THRESH_LSB	<u>Shake Threshold LSB</u>	SH_THR[7]	SH_THR[6]	SH_THR[5]	SH_THR[4]	SH_THR[3]	SH_THR[2]	SH_THR[1]	SH_THR[0]	0x00	W



Addr	Name	Description	Bit 7	Bit 6	Bit 5	Bit 4	Bit 3	Bit 2	Bit 1	Bit 0	POR Value	R/W <sup>1</sup>
0x47	SHK_THRESH_MSB	<b>Shake Threshold MSB</b>	SH_THR[15]	SH_THR[14]	SH_THR[13]	SH_THR[12]	SH_THR[11]	SH_THR[10]	SH_THR[9]	SH_THR[8]	0x00	W
0x48	PK_P2P_DURATION_LSB	<b>Peak-to-Peak Duration LSB</b>	PK_P2P_DUR[7]	PK_P2P_DUR[6]	PK_P2P_DUR[5]	PK_P2P_DUR[4]	PK_P2P_DUR[3]	PK_P2P_DUR[2]	PK_P2P_DUR[1]	PK_P2P_DUR[0]	0x00	W
0x49	PK_P2P_DURATION_MSB	<b>Shake Duration and Peak-to-Peak Duration MSB</b>	RESV	SHK_CNT_DUR[2]	SHK_CNT_DUR[1]	SHK_CNT_DUR[0]	PK_P2P_DUR[11]	PK_P2P_DUR[10]	PK_P2P_DUR[9]	PK_P2P_DUR[8]	0x00	W
0x4A	TIMER_CTRL	<b>Timer Control</b>	TEMP_PER_INT_EN	TEMP_PERIOD[2]	TEMP_PERIOD[1]	TEMP_PERIOD[0]	RESV	TILT_35[2]	TILT_35[1]	TILT_35[0]	0x00	W
0x4B	RD_CNT	<b>Read Count Register</b>	RD_CNT[7]	RD_CNT[6]	RD_CNT[5]	RD_CNT[4]	RD_CNT[3]	RD_CNT[2]	RD_CNT[1]	RD_CNT[0]	0x06	R/W
0x4C – 0x50	RESERVED <sup>2</sup>											

<sup>1</sup> 'R' registers are read-only, via external I2C access. 'W' registers are read-write, via external I2C access.  
<sup>2</sup> Registers designated as 'RESERVED' should not be accessed by software.  
<sup>3</sup> Software must write a zero (0) to this bit.  
<sup>4</sup> Software must write a one (1) to this bit.

**Table 23. Register Summary**

## 12.2 (0X05)DEVICE STATUS REGISTER

The device status register reports various conditions of the sensor circuitry.

Addr	Name	Description	Bit 7	Bit 6	Bit 5	Bit 4	Bit 3	Bit 2	Bit 1	Bit 0	POR Value	R/W
0x05	DEV_STAT	Device Status	OTP_BUSY	Resv	Resv	I2C_WDT	Resv	RES_MODE	STATE[1]	STATE[0]	0x00	R

Name	Description
STATE[1:0]	Operating mode of the current device. <b>00</b> : STANDBY. Clocks are not running and X, Y, and Z-axis data are not sampled. <b>01</b> : WAKE. Clocks are running and X, Y, and Z-axis data are acquired at the sample rate. <b>10</b> : Reserved. <b>11</b> : Reserved.
RES_MODE	Resolution mode of the current device. <b>0</b> : 16-bit (high) resolution is enabled. <b>1</b> : Reserved.
I2C_WDT	I2C watchdog timeout. This bit is cleared when register 0x05 is read. <b>0</b> : A watchdog event is not detected. <b>1</b> : A watchdog event has been detected by the hardware and the I2C slave state machine is reset to idle.
OTP_BUSY	One-Time programming (OTP) activity status. <b>0</b> : Internal memory is idle and the device is ready to use. <b>1</b> : Internal memory is active and the device cannot be used.

Table 24. Device Status Register

### 12.3 (0X06) INTERRUPT ENABLE REGISTER

The interrupt enable register enables or disables the reporting of interrupt status for each interrupt source. FIFO interrupt are enabled in the FIFO control register 0x2D.

Addr	Name	Description	Bit 7	Bit 6	Bit 5	Bit 4	Bit 3	Bit 2	Bit 1	Bit 0	POR Value	R/W
0x06	INTR_CTRL	Interrupt Enable	ACQ_INT_EN	AUTO_CLR_EN	Resv	TILT_35_INT_EN	SHAKE_INT_EN	ANYM_INT_EN	FLIP_INT_EN	TILT_INT_EN	0x00	W

Name	Description
TILT_INT_EN	Use with the tilt/flip feature in the motion control register (register 0x09, bit 0) to activate the reporting status of the tilt interrupt. <b>0:</b> Tilt interrupt is disabled. <b>1:</b> Tilt interrupt is enabled.
FLIP_INT_EN	Use with the tilt/flip feature in the motion control register (register 0x09, bit 0) to activate the reporting status of the flip interrupt. <b>0:</b> Flip interrupt is disabled. <b>1:</b> Flip interrupt is enabled.
ANYM_INT_EN	Use with the AnyMotion feature in the motion control register (register 0x09, bit 2) to activate the reporting status of the AnyMotion interrupt. <b>0:</b> AnyMotion interrupt is disabled. <b>1:</b> AnyMotion interrupt is enabled.
SHAKE_INT_EN	Use with the shake feature in the motion control register (register 0x09, bit 3) and the AnyMotion feature in the motion control register (register 0x09, bit 2) to activate the reporting status of the shake interrupt. <b>0:</b> Shake interrupt is disabled. <b>1:</b> Shake interrupt is enabled.
TILT_35_INT_EN	Use with the tilt-35 feature in the motion control register (register 0x09, bit 4) and the AnyMotion feature in the motion control register (register 0x09, bit 2) to activate the reporting status of the tilt-35 interrupt. <b>0:</b> Tilt-35 interrupt is disabled. <b>1:</b> Tilt-35 interrupt is enabled.
AUTO_CLR_EN	Clear pending interrupts automatically or by reading a register. See section 8.4 for more information. <b>0:</b> Clear pending interrupts by writing to register 0x14. <b>1:</b> Automatically clear pending interrupts if the interrupt condition is no longer valid. Refer to <b>Interrupts</b> for more information about interrupts.
ACQ_INT_EN	Generate interrupts. <b>0:</b> Disable automatic interrupt after each sample (default). <b>1:</b> Enable automatic interrupt after each sample (activates the ACQ_INT flag, bit 7, in register 0x14).

Table 25. Interrupt Enable Register

## 12.4 (0X07) MODE REGISTER

The mode register controls the active operating state of the accelerometer. This register can be written from all operational states (WAKE, or STANDBY).

Addr	Name	Description	Bit 7	Bit 6	Bit 5	Bit 4	Bit 3	Bit 2	Bit 1	Bit 0	POR Value	R/W
0x07	MODE	Mode	Resv	Resv	I2C_ WDT_POS	I2C_ WDT_NEG	0	0 <sup>1</sup>	STATE[1]	STATE[0]	0x00	W

<sup>1</sup>Software must write a zero (0) to bit 2.

Name	Description
STATE[1:0]	Accelerometer operational state. <b>00</b> : STANDBY. Clocks are not running and X, Y, and Z-axis data are not sampled. <b>01</b> : WAKE. Clocks are running and X, Y, and Z-axis data are acquired at the sample rate. <b>10</b> : Reserved. <b>11</b> : Reserved.
I2C_WDT_NEG	Watchdog timer for negative SCL stalls. <b>0</b> : The I2C watchdog timer for negative SCL stalls is disabled (default). <b>1</b> : The I2C watchdog timer for negative SCL stalls is enabled.
I2C_WDT_POS	Watchdog timer for positive SCL stalls. <b>0</b> : The I2C watchdog timer for positive SCL stalls is disabled (default). <b>1</b> : The I2C watchdog timer for positive SCL stalls is enabled.

**Table 26. Mode Register States**

## 12.5 (0X08) SAMPLE RATE REGISTER

The sample rate register sets the sampling output data rate (ODR) for the sensor and the clock frequency of the main oscillator.

Addr	Name	Description	Bit 7	Bit 6	Bit 5	Bit 4	Bit 3	Bit 2	Bit 1	Bit 0	POR Value	R/W
0x08	SR	Sample Rate	0 <sup>1</sup>	0 <sup>1</sup>	0 <sup>1</sup>	See table below		RATE[2]	RATE[1]	RATE[0]	0x00	RW

<sup>1</sup>Software must write a zero (0).

Name	Description
RATE[2:0]	Select the Output Data Rate, ODR

**Table 27. Sample Rate Register**

Rate	I2C or SPI Speed ≤ 4MHz		I2C or 4MHz < SPI Speed ≤ 10MHz	
	IDR = ODR (Hz)	Reg 0x08	IDR = ODR (Hz)	Reg 0x08
0	25	0x10	50	0x08
1	50	0x11	62.5	0x09
2	62.5	0x12	100	0x0A
3	100	0x13	125	0x0B
4	125	0x14	250	0x0C
5	250	0x15	500	0x0D
6	500	0x16	1000	0x0E
7	1000	0x17	-	-

**Table 28. Sample Rate Values**

## 12.6 (0X09) MOTION CONTROL REGISTER

The motion control register enables the flags and interrupts for motion detection features.

Addr	Name	Description	Bit 7	Bit 6	Bit 5	Bit 4	Bit 3	Bit 2	Bit 1	Bit 0	POR Value	R/W
0x09	MOTION_CTRL	Motion Control	MOTION_RESET	RAW_PROC_STAT	Z_AXIS_ORI	TILT_35_EN	SHAKE_EN	ANYM_EN	MOTION_LATCH	TF_ENABLE	0x00	W

Name	Description
TF_ENABLE	Enable or disable the tilt/flip feature. Used with the tilt/flip features in registers 0x13, 0x14, and 0x06. <b>0:</b> Tilt/Flip feature is disabled (default). <b>1:</b> Tilt/Flip feature is enabled.
MOTION_LATCH	If motion interrupts are used, this bit is generally not used. <b>0:</b> Motion block does not latch outputs. <b>1:</b> Motion block latches outputs.
ANYM_EN	Enable or disable the AnyMotion feature. Used with the AnyMotion feature in registers 0x13, 0x14, and 0x06 and the shake and tilt-35 features in registers 0x14 and 0x06. <b>0:</b> AnyMotion feature is disabled (default). <b>1:</b> AnyMotion feature is enabled.
SHAKE_EN	Enable or disable the shake feature. Used with the shake feature in registers 0x13, 0x14, and 0x06. <b>0:</b> Shake feature is disabled (default). <b>1:</b> Shake feature is enabled. ANYM_EN must also be enabled.
TILT_35_EN	Enable or disable the tilt-35 feature. Used with tilt-35 feature in registers 0x13, 0x14, and 0x06. <b>0:</b> Tilt-35 feature is disabled (default). <b>1:</b> Tilt-35 feature is enabled. ANYM_EN must also be enabled.
Z_AXIS_ORI	Z-axis orientation. <b>0:</b> Z-axis orientation is positive through the top of the package (default). <b>1:</b> Z-axis orientation is positive through the bottom of the package.
RAW_PROC_STAT	Enable or disable filtering of motion data. <b>0:</b> Motion flag bits are filtered by debounce and other settings (default). <b>1:</b> Motion flag bits are real-time, raw data.
MOTION_RESET	Motion block reset. This bit is not automatically cleared. <b>0:</b> The motion block is not in reset (default). <b>1:</b> The motion block is held in reset. The software must set this bit for the reset to be cleared.

**Table 29. Motion Control Register**

## 12.7 (0X0A) FIFO STATUS REGISTER

Addr	Name	Description	Bit 7	Bit 6	Bit 5	Bit 4	Bit 3	Bit 2	Bit 1	Bit 0	POR Value	R/W
0x0A	FIFO_STAT	FIFO Status	RESV	RESV	RESV	RESV	RESV	FIFO_THRESH	FIFO_FULL	FIFO_EMPTY	0x01	RO

This register returns the current flags/status from the FIFO. These signals are not registered so the bits may transition unexpectedly at any time. The FIFO interrupt enable bits in register 0x2D do not affect these flags. Note that the FIFO\_EMPTY flag is '1' at boot or POR.

Bit	Name	Description
<b>0</b>	FIFO_EMPTY	0: FIFO is not empty 1: FIFO is empty (default) This flag is valid if the FIFO is enabled or disabled.
<b>1</b>	FIFO_FULL	0: FIFO is not full (default) 1: FIFO is full This flag is valid if the FIFO is enabled or disabled.
<b>2</b>	FIFO_THRESH	0: FIFO threshold is less than threshold setting (default) 1: FIFO threshold is at or greater than threshold setting. The default threshold level is 16 or ½ of the 32 sample FIFO capacity.
<b>7:3</b>	RESV	Reserved, returns '00000' when read.

**Table 19: FIFO Status, 0x0A Register**

## 12.8 (0X0B) FIFO READ POINTER REGISTER

Addr	Name	Description	Bit 7	Bit 6	Bit 5	Bit 4	Bit 3	Bit 2	Bit 1	Bit 0	POR Value	R/W
0x0B	FIFO_R_P	FIFO Read Pointer	RESV	RESV	FIFO_RD_PTR[5]	FIFO_RD_PTR[4]	FIFO_RD_PTR[3]	FIFO_RD_PTR[2]	FIFO_RD_PTR[1]	FIFO_RD_PTR[0]	0x00	RO

### READ POINTER

The FIFO read pointer is a 6-bit value that points to the current address of the read port on the FIFO. The actual address is bits 4:0 since the FIFO is limited to 32 locations. Bit 5 is used as “wrap” flag by hardware when comparing the read and write pointers.

Bit	Name	Description
<b>4:0</b>	FIFO_RD_PTR[4:0]	00000 – default This is the current address the FIFO read pointer is accessing. The valid range is 0 to 31.
<b>5</b>	FIFO_RD_PTR[5]	0 -default This bit is used by hardware to manage the full/empty status of the FIFO. This is not a physical address bit.
<b>7:6</b>	RESV	Reserved, returns ‘00’ when read.

Table 12-30: FIFO read pointer, register 0x0B



## 12.9 (0X0C) FIFO WRITE POINTER REGISTER

Addr	Name	Description	Bit 7	Bit 6	Bit 5	Bit 4	Bit 3	Bit 2	Bit 1	Bit 0	POR Value	R/W
0x0C	FIFO_W_P	FIFO Write Pointer	RESV	RESV	FIFO_WR_PTR[5]	FIFO_WR_PTR[4]	FIFO_WR_PTR[3]	FIFO_WR_PTR[2]	FIFO_WR_PTR[1]	FIFO_WR_PTR[0]	0x00	RO

The FIFO write pointer is a 6-bit value that points to the current address of the write port on the FIFO. The actual address is bits 4:0 since the FIFO is limited to 32 locations. Bit 5 is used as “wrap” flag by hardware when comparing the read and write pointers. This value will always be updated when a new valid sample is acquired (Z-axis data must be successfully acquired).

Bit	Name	Description
<b>4:0</b>	FIFO_WR_PTR[4:0]	00000 – default This is the current address the FIFO write pointer is accessing. The valid range is 0 to 31.
<b>5</b>	FIFO_WR_PTR[5]	0 -default This bit is used by hardware to manage the full/empty status of the FIFO. This is not a physical address bit.
<b>7:6</b>	RESV	Reserved, returns ‘00’ when read.

Table 12-31: FIFO write pointer, register 0xC

## 12.10 (0x0D - 0x12) XOUT, YOUT AND ZOUT DATA ACCELEROMETER REGISTERS

X, Y, and Z-axis accelerometer measurements are in 16-bit, signed 2's complement format. Register addresses 0x0D to 0x12 hold the latest sampled data from the X, Y, and Z accelerometers.

When the FIFO is enabled (register 0x2D bit 5), reading from address 0x0D supplies data from the FIFO instead of the output registers.

**During FIFO reads, software must start a read at address 0x0D and complete a read to address 0x12 for the FIFO pointers to increment correctly.**

Once an I2C start bit has been recognized by the device, registers will not be updated until an I2C stop bit has occurred. Therefore, if software desires to read the low and high byte registers 'atomically', knowing that the values have not been changed, it should do so by issuing a start bit, reading one register, then reading the other register then issuing a stop bit. Note that all 6 registers may be read in one burst with the same effect.

Addr	Name	Description	Bit 7	Bit 6	Bit 5	Bit 4	Bit 3	Bit 2	Bit 1	Bit 0	POR Value	R/W
0x0D	XOUT_EX_L	XOUT Accelerometer Data LSB	XOUT_EX[7]	XOUT_EX[6]	XOUT_EX[5]	XOUT_EX[4]	XOUT_EX[3]	XOUT_EX[2]	XOUT_EX[1]	XOUT_EX[0]	0x00	R
0x0E	XOUT_EX_H	XOUT Accelerometer Data MSB	XOUT_EX[15]	XOUT_EX[14]	XOUT_EX[13]	XOUT_EX[12]	XOUT_EX[11]	XOUT_EX[10]	XOUT_EX[9]	XOUT_EX[8]	0x00	R
0x0F	YOUT_EX_L	YOUT Accelerometer Data LSB	YOUT_EX[7]	YOUT_EX[6]	YOUT_EX[5]	YOUT_EX[4]	YOUT_EX[3]	YOUT_EX[2]	YOUT_EX[1]	YOUT_EX[0]	0x00	R
0x10	YOUT_EX_H	YOUT Accelerometer Data MSB	YOUT_EX[15]	YOUT_EX[14]	YOUT_EX[13]	YOUT_EX[12]	YOUT_EX[11]	YOUT_EX[10]	YOUT_EX[9]	YOUT_EX[8]	0x00	R
0x11	ZOUT_EX_L	ZOUT Accelerometer Data LSB	ZOUT_EX[7]	ZOUT_EX[6]	ZOUT_EX[5]	ZOUT_EX[4]	ZOUT_EX[3]	ZOUT_EX[2]	ZOUT_EX[1]	ZOUT_EX[0]	0x00	R
0x12	ZOUT_EX_H	ZOUT Accelerometer Data MSB	ZOUT_EX[15]	ZOUT_EX[14]	ZOUT_EX[13]	ZOUT_EX[12]	ZOUT_EX[11]	ZOUT_EX[10]	ZOUT_EX[9]	ZOUT_EX[8]	0x00	R

**Table 32. Accelerometer LSB and MSB Registers**

## 12.11 (0X13) STATUS REGISTER

The status register contains the flag and status bits for sample acquisition and motion detection.

Addr	Name	Description	Bit 7	Bit 6	Bit 5	Bit 4	Bit 3	Bit 2	Bit 1	Bit 0	POR Value	R/W
0x13	STATUS	Status Register	NEW_DATA	Resv	FIFO_FLAG	TILT_35_FLAG	SHAKE_FLAG	ANYM_FLAG	FLIP_FLAG	TILT_FLAG	0x00	R

Name	Description
TILT_FLAG	This bit is active when the tilt feature in the motion control register (register 0x09, bit 0) is enabled. If polling is used, use the tilt interrupt in the interrupt status register (register 0x14, bit 0) instead because this bit can transition quickly. <b>0:</b> Tilt condition is not detected. <b>1:</b> Tilt condition is detected.
FLIP_FLAG	This bit is active when the flip feature in the motion control register (register 0x09, bit 0) is enabled. If polling is used, use the flip interrupt in the interrupt status register (register 0x14, bit 1) instead because this bit can transition quickly. <b>0:</b> Flip condition is not detected. <b>1:</b> Flip condition is detected.
ANYM_FLAG	This bit is active when the AnyMotion feature in the motion control register (register 0x09, bit 2) is enabled. If polling is used, use the AnyMotion interrupt in the interrupt status register (register 0x14, bit 2) instead because this bit can transition quickly. <b>0:</b> AnyMotion condition is not detected. <b>1:</b> AnyMotion condition is detected.
SHAKE_FLAG	This bit is active when the shake feature in the motion control register (register 0x09, bit 3) is enabled. If polling is used, use the shake interrupt in the interrupt status register (register 0x14, bit 3) instead because this bit can transition quickly. <b>0:</b> Shake condition is not detected. <b>1:</b> Shake condition is detected.
TILT_35_FLAG	This bit is active when the tilt-35 feature in the motion control register (register 0x09, bit 4) is enabled. If polling is used, use the tilt-35 interrupt in the interrupt status register (register 0x14, bit 4) instead because this bit can transition quickly. <b>0:</b> Tilt-35 condition is not detected. <b>1:</b> Tilt-35 condition is detected.
FIFO_FLAG	This flag is an OR of the three FIFO flags from register 0x0A, FIFO_FULL, FIFO_THRESH, and FIFO_EMPTY.
NEW_DATA	This bit is always active, only operates in WAKE mode, and is cleared and rearmed each time this register is read. This flag is set when XYZ data is written to registers 0x0D - 0x12. The host must poll this bit at the sample rate or faster to see this bit transition. <b>0:</b> No data has been generated by the sensor since the last read. <b>1:</b> Data has been acquired and written to the output registers (0x0D - 0x12).

**Table 33. Status Register**

## 12.12 (0X14) INTERRUPT STATUS REGISTER

The interrupt status register reports the status of any pending interrupt sources. Each interrupt source must be enabled by the corresponding interrupt enable bit in register 0x06. All interrupts are cleared each time this register is written (default). Individual interrupts may be cleared using a bitmask if the INDIV\_INTR\_CLR bit is set in the communications control register, address 0x31.

Addr	Name	Description	Bit 7	Bit 6	Bit 5	Bit 4	Bit 3	Bit 2	Bit 1	Bit 0	POR Value	R/W
0x14	INTR_STAT	Interrupt Status Register	ACQ_INT	Resv	FIFO_INT	TILT_35_INT	SHAKE_INT	ANYM_INT	FLIP_INT	TILT_INT	0x00	RW
<b>Name</b>		<b>Description</b>										
TILT_INT		This bit is active when the tilt feature in the interrupt enable register (register 0x06, bit 0) is enabled and the tilt/flip feature in the motion control register (register 0x09, bit 0) is enabled. <b>0:</b> Tilt interrupt is not pending. <b>1:</b> Tilt interrupt is pending.										
FLIP_INT		This bit is active when the flip feature in the interrupt enable register (register 0x06, bit 1) is enabled and the tilt/flip feature in the motion control register (register 0x09, bit 0) is enabled. <b>0:</b> Flip interrupt is not pending. <b>1:</b> Flip interrupt is pending.										
ANYM_INT		This bit is active when the AnyMotion feature in the interrupt enable register (register 0x06, bit 2) is enabled and the AnyMotion feature in the motion control register (register 0x09, bit 2) is enabled. <b>0:</b> AnyMotion interrupt is not pending. <b>1:</b> AnyMotion interrupt is pending.										
SHAKE_INT		This bit is active when the shake feature in the interrupt enable register (register 0x06, bit 3) is enabled, the shake feature in the motion control register (register 0x09, bit 3) is enabled, and the AnyMotion feature in the motion control register (register 0x09, bit 2) is enabled. <b>0:</b> Shake interrupt is not pending. <b>1:</b> Shake interrupt is pending.										
TILT_35_INT		This bit is active when the tilt-35 feature in the interrupt enable register (register 0x06, bit 4) is enabled, the tilt-35 feature in the motion control register (register 0x09, bit 4) is enabled, and the AnyMotion feature in the motion control register (register 0x09, bit 2) is enabled. <b>0:</b> Tilt-35 interrupt is not pending. <b>1:</b> Tilt-35 interrupt is pending.										
FIFO_INT		<b>0:</b> FIFO_INTR interrupt is not pending. <b>1:</b> FIFO_INTR interrupt is pending. This bit is an OR of the three FIFO interrupt flags from register 0x2F, FIFO_FULL_INTR, FIFO_THRESH_INTR, and FIFO_EMPTY_INTR.										
ACQ_INT		This bit only operates in WAKE mode. This bit is active when the interrupt feature in the interrupt enable register (register 0x06, bit 7) is enabled. <b>0:</b> Sample interrupt is not pending. <b>1:</b> Sample interrupt is pending.										

**Table 34. Interrupt Status Register**

## 12.13 (0X20) RANGE AND SCALE CONTROL REGISTER

The range and scale control register sets the resolution, range, and filtering options for the accelerometer. All values are in sign-extended 2's complement format. Values are reported in registers 0x0D – 0x12 (the hardware formats the output).

Addr	Name	Description	Bit 7	Bit 6	Bit 5	Bit 4	Bit 3	Bit 2	Bit 1	Bit 0	POR Value	R/W
0x20	RANGE	Range Select Control	0 <sup>1</sup>	RANGE[2]	RANGE[1]	RANGE[0]	LPF_EN	LPF[2]	LPF[1]	LPF[0]	0x00	W

<sup>1</sup>Software must write a zero (0) to bit 7.

Name	Description
RANGE[2:0]	Resolution range of the accelerometer, based on the current resolution. 000: ± 2g 001: ± 4g 010: ± 8g 011: ± 16g 100: ± 12g 101: Reserved. 110: Reserved. 111: Reserved.
LPF_EN	0: Low pass Filter Disabled 1: Low Pass Filter Enabled
LPF[2:0]	000: Reserved
	001: Bandwidth setting 1, Fc = IDR / 4.255
	010: Bandwidth setting 2, Fc = IDR / 6
	011: Bandwidth setting 3, Fc = IDR / 12
	100: Reserved
	101: Bandwidth setting 5, Fc = IDR / 16
	110: Reserved
111: Reserved	

Table 35. Range and Scale Control Register

## 12.14 (0X21 – 0X22) X-AXIS DIGITAL OFFSET REGISTERS

The X-axis digital offset registers contain a signed 2's complement 14-bit value used to offset the output of the X-axis filter. These registers are loaded from the OTP at device initialization and POR. If necessary, these values can be overwritten by software.

Register 0x22 bit 7 is the ninth bit of X-axis gain (XGAIN). See [X-Axis Digital Gain Registers](#) for more information about XGAIN.

**NOTE:** When modifying these registers with new gain or offset values, software should perform a read-modify-write type of access to ensure that unrelated bits do not get changed.

Addr	Name	Description	Bit 7	Bit 6	Bit 5	Bit 4	Bit 3	Bit 2	Bit 1	Bit 0	POR Value	R/W
0x21	XOFFL	X-Offset LSB	XOFF[7]	XOFF[6]	XOFF[5]	XOFF[4]	XOFF[3]	XOFF[2]	XOFF[1]	XOFF[0]	Per chip	W
0x22	XOFFH	X-Offset MSB	XGAIN[8]	XOFF[14]	XOFF[13]	XOFF[12]	XOFF[11]	XOFF[10]	XOFF[9]	XOFF[8]	Per chip	W

**Table 36. X-Axis Digital Offset Registers**

## 12.15 (0X23 – 0X24) Y-AXIS DIGITAL OFFSET REGISTERS

The Y-axis digital offset registers contain a signed 2's complement 14-bit value used to offset the output of the Y-axis filter. These registers are loaded from the OTP at device initialization and POR. If necessary, these values can be overwritten by software.

Register 0x24 bit 7 is the ninth bit of Y-axis gain (YGAIN). See [Y-Axis Digital Gain Registers](#) for more information about YGAIN.

**NOTE:** When modifying these registers with new gain or offset values, software should perform a read-modify-write type of access to ensure that unrelated bits do not get changed.

Addr	Name	Description	Bit 7	Bit 6	Bit 5	Bit 4	Bit 3	Bit 2	Bit 1	Bit 0	POR Value	R/W
0x23	YOFFL	Y-Offset LSB	YOFF[7]	YOFF[6]	YOFF[5]	YOFF[4]	YOFF[3]	YOFF[2]	YOFF[1]	YOFF[0]	Per chip	W
0x24	YOFFH	Y-Offset MSB	YGAIN[8]	YOFF[14]	YOFF[13]	YOFF[12]	YOFF[11]	YOFF[10]	YOFF[9]	YOFF[8]	Per chip	W

**Table 37. Y-Axis Digital Offset Registers**

## 12.16 (0X25 – 0X26) Z-AXIS DIGITAL OFFSET REGISTERS

The Z-axis digital offset registers contain a signed 2's complement 14-bit value used to offset the output of the Z-axis filter. These registers are loaded from the OTP at device initialization and POR. If necessary, these values can be overwritten by software.

Register 0x26 bit 7 is the ninth bit of Z-axis gain (ZGAIN). See [Z-Axis Digital Gain Registers](#) for more information about ZGAIN.

**NOTE:** When modifying these registers with new gain or offset values, software should perform a read-modify-write type of access to ensure that unrelated bits do not get changed.

Addr	Name	Description	Bit 7	Bit 6	Bit 5	Bit 4	Bit 3	Bit 2	Bit 1	Bit 0	POR Value	R/W
0x25	ZOFFL	Z-Offset LSB	ZOFF[7]	ZOFF[6]	ZOFF[5]	ZOFF[4]	ZOFF[3]	ZOFF[2]	ZOFF[1]	ZOFF[0]	Per chip	W
0x26	ZOFFH	Z-Offset MSB	ZGAIN[8]	ZOFF[14]	ZOFF[13]	ZOFF[12]	ZOFF[11]	ZOFF[10]	ZOFF[9]	ZOFF[8]	Per chip	W

**Table 38. Z-Axis Digital Offset Registers**



## 12.17 (0X22 & 0X27) X-AXIS DIGITAL GAIN REGISTERS

The X-axis digital gain registers contain an unsigned 9-bit value. These registers are loaded from the OTP at device initialization and POR. If necessary, these values can be overwritten by software.

Register 0x22 bit 7 is the ninth bit of XGAIN.

**NOTE:** When modifying these registers with new gain values, software should perform a read-modify-write type of access to ensure that unrelated bits do not get changed.

Addr	Name	Description	Bit 7	Bit 6	Bit 5	Bit 4	Bit 3	Bit 2	Bit 1	Bit 0	POR Value	R/W
0x22	XOFFH	X-Offset MSB	XGAIN[8]	XOFF[14]	XOFF[13]	XOFF[12]	XOFF[11]	XOFF[10]	XOFF[9]	XOFF[8]	Per chip	W
0x27	XGAIN	X Gain	XGAIN[7]	XGAIN[6]	XGAIN[5]	XGAIN[4]	XGAIN[3]	XGAIN[2]	XGAIN[1]	XGAIN[0]	Per chip	W

**Table 39. X-Axis Digital Gain Registers**

## 12.18 (0X24 & 0X28) Y-AXIS DIGITAL GAIN REGISTERS

The Y-axis digital gain registers contain an unsigned 9-bit value. These registers are loaded from the OTP at device initialization and POR. If necessary, these values can be overwritten by software.

Register 0x24 bit 7 is the ninth bit of YGAIN.

**NOTE:** When modifying these registers with new gain values, software should perform a read-modify-write type of access to ensure that unrelated bits do not get changed.

Addr	Name	Description	Bit 7	Bit 6	Bit 5	Bit 4	Bit 3	Bit 2	Bit 1	Bit 0	POR Value	R/W
0x24	YOFFH	Y-Offset MSB	YGAIN[8]	YOFF[14]	YOFF[13]	YOFF[12]	YOFF[11]	YOFF[10]	YOFF[9]	YOFF[8]	Per chip	W
0x28	YGAIN	Y Gain	YGAIN[7]	YGAIN[6]	YGAIN[5]	YGAIN[4]	YGAIN[3]	YGAIN[2]	YGAIN[1]	YGAIN[0]	Per chip	W

**Table 40. Y-Axis Digital Offset Registers**

## 12.19 (0X26 & 0X29) Z-AXIS DIGITAL GAIN REGISTERS

The Z-axis digital gain registers contain an unsigned 9-bit value. These registers are loaded from the OTP at device initialization and POR. If necessary, these values can be overwritten by software.

Register 0x26 bit 7 is the ninth bit of ZGAIN.

**NOTE:** When modifying these registers with new gain values, software should perform a read-modify-write type of access to ensure that unrelated bits do not get changed.

Addr	Name	Description	Bit 7	Bit 6	Bit 5	Bit 4	Bit 3	Bit 2	Bit 1	Bit 0	POR Value	R/W
0x26	ZOFFH	Z-Offset MSB	ZGAIN[8]	ZOFF[14]	ZOFF[13]	ZOFF[12]	ZOFF[11]	ZOFF[10]	ZOFF[9]	ZOFF[8]	Per chip	W
0x29	ZGAIN	Z Gain	ZGAIN[7]	ZGAIN[6]	ZGAIN[5]	ZGAIN[4]	ZGAIN[3]	ZGAIN[2]	ZGAIN[1]	ZGAIN[0]	Per chip	W

Table 41. Z-Axis Digital Offset Registers

## 12.20 (0X2D) FIFO CONTROL REGISTER

This register controls the options for the MC3419 FIFO. This register was previously undefined in Mensa.

Addr	Name	Description	Bit 7	Bit 6	Bit 5	Bit 4	Bit 3	Bit 2	Bit 1	Bit 0	POR Value	R/W
0x2D	FIFO_CTRL	FIFO Control Register	0	FIFO_MODE	FIFO_EN	FIFO_RESET	COMB_INT_EN	FIFO_TH_INT_EN	FIFO_FULL_INT_EN	FIFO_EMPTY_INT_EN	0x00	RW

Bit	Name	Function	Description
0	FIFO_EMPTY_INT_EN	FIFO empty interrupt enable	0: FIFO empty interrupt enable is disabled (default) 1: FIFO empty interrupt enable is enabled.
1	FIFO_FULL_INT_EN	FIFO full interrupt enable	0: FIFO full interrupt enable is disabled (default) 1: FIFO full interrupt enable is enabled.
2	FIFO_TH_INT_EN	FIFO threshold interrupt enable.	0: FIFO threshold interrupt enable is disabled (default) 1: FIFO full threshold enable is enabled.
3	COMB_INT_EN	Combined interrupt enable	0: Motion/interrupt on sample interrupts are routed to INTN1, and FIFO interrupts are routed to INTN2. (default). 1: All interrupts are routed to INTN1.  When the COMB_INT_EN bit is set, all interrupts requests are routed to INTN1, INTN2 becomes disabled.
4	FIFO_RESET	FIFO reset control	0: FIFO is not reset (default) 1: FIFO is reset, read and write pointers are cleared.  In a FIFO reset, <b>the contents of the FIFO are not cleared</b> , only the FIFO control logic, read and write pointers are reset.
5	FIFO_EN	FIFO enable	0: FIFO and FIFO operations are disabled (default) 1: FIFO and FIFO operations are enabled.

6	FIFO_MODE	FIFO mode select	<p>0: Normal operation, the FIFO continues to accept new sample data as long as there is space remaining (default)</p> <p>1: Watermark (threshold) mode, once the amount of samples in the FIFO reaches or exceeds the threshold level, the FIFO stops accepting new sample data. Any additional sample data is “dropped”.</p>
7	Reserved	Reserved	This bit must be ‘0’ for current FIFO operation.

**Table 42. FIFO Control bit assignments**

MEMSIC

## 12.21 (0X2E) FIFO THRESHOLD REGISTER

Addr	Name	Description	Bit 7	Bit 6	Bit 5	Bit 4	Bit 3	Bit 2	Bit 1	Bit 0	POR Value	R/W
0x2E	FIFO_CTRL	FIFO Threshold Register	RESV	RESV	RESV	FIFO_TH[4]	FIFO_TH[3]	FIFO_TH[2]	FIFO_TH[1]	FIFO_TH[0]	0x10	RW

### FIFO THRESHOLD SETTING

Register 0x2E holds the threshold or “watermark” level to apply to the number of samples in the FIFO. Note that the POR default of the level is 0x10 (decimal 16), or ½ of the total size of the FIFO.

Bit	Name	Description
4:0	FIFO_TH[4:0]	The FIFO threshold level selects the number of samples in the FIFO for different FIFO events. The threshold value may be 1 to 31 (00001 to 11111).
7:5	RESV	Reserved, returns ‘0’ when read.

**Table 43. FIFO Threshold level bit assignments**

## 12.22 (0X2F) FIFO INTERRUPT STATUS REGISTER

Addr	Name	Description	Bit 7	Bit 6	Bit 5	Bit 4	Bit 3	Bit 2	Bit 1	Bit 0	POR Value	R/W
0x2E	FIFO_INTR	FIFO Interrupt Status Register	RESV	RESV	RESV	RESV	RESV	FIFO_THRESH_INT (RO)	FIFO_FULL_INT (RO)	FIFO_EMPTY_INT (RO)	0x00	R

Register 0x2F reports the status of any pending FIFO interrupts. The corresponding FIFO interrupt enable bit must be enabled in register 0x2D for the interrupts to be detected.

Bit	Name	Function	Description
0	FIFO_EMPTY_INT (RO)	FIFO Empty interrupt flag.	0: No FIFO empty interrupt is pending. 1: FIFO empty interrupt is pending.  This read only bit reports the status of the FIFO empty interrupt. It requires register 0x2B bit 0 be enabled.
1	FIFO_FULL_INT (RO)	FIFO Full interrupt flag.	0: No FIFO full interrupt is pending. 1: FIFO full interrupt is pending.  This read only bit reports the status of the FIFO full interrupt. It requires register 0x2B bit 1 be enabled.
2	FIFO_THRESH_INT (RO)	FIFO Threshold interrupt flag.	0: No FIFO threshold interrupt is pending. 1: FIFO threshold interrupt is pending.  This read only bit reports the status of the FIFO threshold interrupt. It requires register 0x2B bit 2 be enabled.
7:3	RESV (RO)	Reserved	Reserved bits, returns '00000' when read.

**Table 44. Interrupt status bit assignments**

## 12.23 (0X30) FIFO CONTROL REGISTER2, SAMPLE RATE REGISTER 2

This register controls the behavior of the FIFO burst mode, and the hardware decimation feature of the MC3419.

The hardware decimation feature divides the internal data rate (IDR) generated by the timebase module. Blocks at the end of signal acquisition pipeline may run at a slower output data rate (ODR). The FIFO, motion, and interrupt blocks operate at the decimated rate while the ADC and LPF filter operate at the higher internal rate. The hardware decimation feature is disabled by default and can be applied to any data rate generated by the settings in register 0x08.

FIFO burst mode refers to the reading of multiple samples from the FIFO in the same transaction. FIFO\_BURST must be set to '1' any time SW intends to drain more than one sample in the same read cycle. It is not necessary to use FIFO\_BURST mode for reading only one sample at a time (single 6, 7, or 8-byte sequence).

Addr	Name	Description	Bit 7	Bit 6	Bit 5	Bit 4	Bit 3	Bit 2	Bit 1	Bit 0	POR Value	R/W
0x30	FIFO_CTRL_2_SR2	FIFO Control Register 2, Sample Rate 2 Register	FIFO_BURST_MODE	0	SELECT_WRAP_ADD_R	ENABLE_WRAP_N	DEC_MODE_RATE[3]	DEC_MODE_RATE[2]	DEC_MODE_RATE[1]	DEC_MODE_RATE[0]	00000000	RW

Bit	Name	Function	Description
3:0	DEC_MODE_RATE[3:0]	Decimation mode rate selection.	<p>0000: Decimation mode disabled (default).            0001: Divide sample rate by 2            0010: Divide sample rate by 4            0011: Divide sample rate by 5            0100: Divide sample rate by 8            0101: Divide sample rate by 10            0110: Divide sample rate by 16            0111: Divide sample rate by 20            1000: Divide sample rate by 40            1001: Divide sample rate by 67            1010: Divide sample rate by 80            1011: Divide sample rate by 100            1100: Divide sample rate by 200            1101: Divide sample rate by 250            1110: Divide sample rate by 500            1111: Divide sample rate by 1000</p> <p>When decimation mode is enabled, the internal data rate (IDR) is divided by the above factor to create a slower output data rate (ODR). The FIFO, motion block, output registers, and interrupts operate off the slower ODR when decimation mode is on.</p> <p>If decimation mode is disabled, then the IDR and ODR are the same value.</p>



4	ENABLE_WRAP_N	Enable/disable automatic address increment to internal register file. Applies to I2C and SPI operations.	0: Internal register address pointer will “wrap” at address selected by bit 5 (default). 1: Internal register address pointer will increment to the next consecutive value.
5	SELECT_WRAP_ADDR	Select the register address “wrap” value during burst operations.	0: Internal register address wraps from address 0x12 to 0x0D on read cycles. (default). 1: Internal register address wraps from address 0x14 to 0x0D on read cycles.  This bit determines which register address triggers a “wrap” to register 0x0D (XOUT_LSB) during a read cycle. Address 0x12 is the MSB of the Z-axis data, and address 0x14 is the address of the interrupt data register. Setting this bit to a ‘1’ allows the contents of 0x13 (accel flag bits) and 0x14 (accel interrupt flags) to be included in a read cycle that includes XOUT[15:0], YOUT[15:0], ZOUT[15:0], STATUS[7:0], and INTR_STATUS[7:0].
6	Reserved	Reserved.	This bit must be ‘0’ for correct FIFO operation.
7	FIFO_BURST	Enable FIFO burst read operations.	0: FIFO read cycle reads a single 6 byte XYZ sample from the FIFO (default). 1: FIFO read cycle reads 2 or more 6-byte XYZ samples (up to 32) from the FIFO.  The length of the burst read must be set in the Read Count register, 0x4B.

**Table 45. FIFO Control 2 bit assignments**

## 12.24 (0X31) COMMUNICATION CONTROL REGISTER

Addr	Name	Description	Bit 7	Bit 6	Bit 5	Bit 4	Bit 3	Bit 2	Bit 1	Bit 0	POR Value	R/W
0x31	COMM_CTRL	Comm. Control Register	Resv	INDIV_INTR_CLR	SPI_3WIRE_EN	INT1_INT2_REQ_SWAP	0	0	RESV	RESV	0x00	RW

Bit	Name	Function	Description
0	RESV	Reserved	Reserved, returns '0' when read.
1	RESV	Reserved	Reserved, returns '0' when read.
2	RESV	Reserved	Reserved, this bit must be written to '0' by software.
3	RESV	Reserved	Reserved, this bit must be written to '0' by software.
4	INT1_INT2_REQ_SWAP	Swap INT1 and INT2 pin functionality.	0: INT1 requests are routed to the INTN1 pin, INT2 requests are routed to the INTN2 pin (default). 1: INT1 requests are routed to the INTN2 pin, INT2 requests are routed to the INTN1 pin.
5	SPI_3WIRE_EN	Enable SPI 3-wire mode.	0: SPI 3-wire mode is disabled (default). 1: SPI 3-wire mode is enabled  When this bit is enabled, the DOUT_A6 pin becomes a bi-directional data pin. SPI MISO and MOSI is applied to the DOUT_A6 pin. Note that it is possible to simply tie the DIN_SDA and DOUT_A6 pins together to enable 3-wire mode without using this bit.
6	INDIV_INTR_CLR	Enable individual interrupt mode.	0: Individual interrupt clear mode is disabled. All interrupts are cleared by writing to register 0x14, contents of write cycle do not matter. (default). 1: Individual interrupt clear mode is enabled. Individual interrupts are cleared by writing to register 0x14 as a bitmask. Each bit of register 0x14 controls a corresponding interrupt service/clear bit.
7	Reserved	Reserved	This bit must be '0' for proper device operation.

**Table 46. Communication Control bit assignments**

## 12.25 (0X33) GPIO CONTROL REGISTER

This register is used to select the INTN1 pin and INTN2 pin polarity and drive mode when the pins are used as interrupt request outputs.

Addr	Name	Description	Bit 7	Bit 6	Bit 5	Bit 4	Bit 3	Bit 2	Bit 1	Bit 0	POR Value	R/W
0x33	GPIO_CTRL	GPIO Control Register	INTN2_IPP	INTN2_IAH	RESV	RESV	INTN1_IPP	INTN1_IAH	RESV	RESV	0x00	W

Bit	Name	Function	Description
1:0	Reserved	Reserved	Reserved
2	GPIO1_INTN1_IAH	Set polarity of INTN1 output.	0: The INTN1 pin is active low. 1: The INTN1 pin is active high.  This bit sets the polarity level of the INTN1 pin. This bit is used in interrupt mode to set the level of the interrupt request.
3	GPIO1_INTN1_IPP	Select open drain or push/pull mode for INTN1.	0: The INTN1 pin operates in open-drain mode as an output. 1: The INTN1 pin operates in push-pull mode as an output.  This bit sets the drive mode of the INTN1 pin as an interrupt request output. Open drain mode requires an external pullup resistor.
5:4	Reserved	Reserved	Reserved
6	GPIO2_INTN2_IAH	Set polarity of INTN2 output.	0: The INTN2 pin is active low. 1: The INTN2 pin is active high.  This bit sets the polarity level of the INTN2 pin. This bit is used in interrupt mode to set the level of the interrupt request, or in GPIO mode to set the level of the GPIO output drive.
7	GPIO2_INTN2_IPP	Select open drain or push/pull mode for INTN2.	0: The INTN2 pin operates in open-drain mode as an output. 1: The INTN2 pin operates in push-pull mode as an output.  This bit sets the drive mode of the INTN2 pin as an interrupt request output. Open drain mode requires an external pullup resistor.

**Table 47. GPIO Control Register**

## 12.26 (0X40 – 0X41) TILT/FLIP THRESHOLD REGISTERS

The tilt/flip threshold registers are used for both the flat/tilt/flip and tilt-35 algorithms.

For the flat/tilt/flip algorithm, these registers hold the programmed 15-bit threshold value to detect the flat/tilt/flip position of the device. If the sample value is greater than the programmed value of these registers, a tilt condition is detected. If the sample value is less than the programmed value of these registers, a flat/flip condition is detected. A flat/flip condition is dependent on the Z-axis value and the Z-axis orientation bit (register 0x09, bit 5).

For the tilt-35 algorithm, these registers hold the programmed 15-bit threshold value that defines the amount of tilt to detect. When the programmed tilt is detected, the tilt-35 interrupt is set in the interrupt status registers (register 0x14, bit 4).

Addr	Name	Description	Bit 7	Bit 6	Bit 5	Bit 4	Bit 3	Bit 2	Bit 1	Bit 0	POR Value	R/W
0x40	TF_THRESH_LSB	Tilt/Flip Threshold LSB	TF_THR[7]	TF_THR[6]	TF_THR[5]	TF_THR[4]	TF_THR[3]	TF_THR[2]	TF_THR[1]	TF_THR[0]	0x00	W
0x41	TF_THRESH_MSB	Tilt/Flip Threshold MSB	Resv	TF_THR[14]	TF_THR[13]	TF_THR[12]	TF_THR[11]	TF_THR[10]	TF_THR[9]	TF_THR[8]	0x00	W

**Table 48. Tilt/Flip Threshold Registers**

## 12.27 (0X42) TILT/FLIP DEBOUNCE REGISTER

The tilt/flip debounce register holds the programmed 8-bit duration of a tilt/flip. When a tilt/flip condition is detected and the duration of the condition is greater than the programmed value of this register, the tilt/flip interrupt is set in the interrupt status registers (register 0x14, bits 0 and 1).

Addr	Name	Description	Bit 7	Bit 6	Bit 5	Bit 4	Bit 3	Bit 2	Bit 1	Bit 0	POR Value	R/W
0x42	TF_DB	Tilt/Flip Debounce	TF_DB[7]	TF_DB[6]	TF_DB[5]	TF_DB[4]	TF_DB[3]	TF_DB[2]	TF_DB[1]	TF_DB[0]	0x00	W

**Table 49. Tilt/Flip Debounce Register**

## 12.28 (0X43 – 0X44) ANYMOTION THRESHOLD REGISTERS

The AnyMotion threshold registers hold the programmed 15-bit threshold value to detect a change in the position of the device. If the change in position between the current sample value and previous sample value on any axis is greater than the programmed value of this register, an AnyMotion condition is detected. When the change in position exceeds the programmed AnyMotion threshold, the AnyMotion interrupt is set in the interrupt status registers (register 0x14, bit 2).

Addr	Name	Description	Bit 7	Bit 6	Bit 5	Bit 4	Bit 3	Bit 2	Bit 1	Bit 0	POR Value	R/W
0x43	AM_THRESH_LSB	AnyMotion Threshold LSB	ANYM_THR[7]	ANYM_THR[6]	ANYM_THR[5]	ANYM_THR[4]	ANYM_THR[3]	ANYM_THR[2]	ANYM_THR[1]	ANYM_THR[0]	0x00	W
0x44	AM_THRESH_MSB	AnyMotion Threshold MSB	Resv	ANYM_THR[14]	ANYM_THR[13]	ANYM_THR[12]	ANYM_THR[11]	ANYM_THR[10]	ANYM_THR[9]	ANYM_THR[8]	0x00	W

**Table 50. AnyMotion Threshold Registers**

## 12.29 (0X45) ANYMOTION DEBOUNCE REGISTER

The AnyMotion debounce register holds the programmed 8-bit duration of any motion. After an AnyMotion condition is detected, if another AnyMotion condition is not detected for the programmed duration, the AnyMotion interrupt is cleared in the interrupt status registers (register 0x14, bits 0 and 1).

Addr	Name	Description	Bit 7	Bit 6	Bit 5	Bit 4	Bit 3	Bit 2	Bit 1	Bit 0	POR Value	R/W
0x45	AM_DB	AnyMotion Debounce	ANYM_DB[7]	ANYM_DB[6]	ANYM_DB[5]	ANYM_DB[4]	ANYM_DB[3]	ANYM_DB[2]	ANYM_DB[1]	ANYM_DB[0]	0x00	W

**Table 51. AnyMotion Debounce Register**

### 12.30 (0X46 – 0X47) SHAKE THRESHOLD REGISTERS

The shake threshold registers hold the programmed 15-bit threshold value to detect a shake. If the change in position between the current sample value and previous sample value on any axis is greater than the programmed value of this register, a shake condition is detected.

Addr	Name	Description	Bit 7	Bit 6	Bit 5	Bit 4	Bit 3	Bit 2	Bit 1	Bit 0	POR Value	R/W
0x46	SHK_THRESH_LSB	Shake Threshold LSB	SH_THR[7]	SH_THR[6]	SH_THR[5]	SH_THR[4]	SH_THR[3]	SH_THR[2]	SH_THR[1]	SH_THR[0]	0x00	W
0x47	SHK_THRESH_MSB	Shake Threshold MSB	SH_THR[15]	SH_THR[14]	SH_THR[13]	SH_THR[12]	SH_THR[11]	SH_THR[10]	SH_THR[9]	SH_THR[8]	0x00	W

**Table 52. Shake Threshold Registers**



## 12.31 (0X48 – 0X49) SHAKE DURATION, PEAK-TO-PEAK REGISTERS

The shake duration and peak-to-peak registers hold the programmed 12-bit threshold value of a peak and the peak-to-peak width of a shake and the programmed 3-bit threshold value of the shake counter.

The data in these registers and the shake threshold registers is used to determine if the shake interrupt should be set.

If a shake condition is detected, the shake counter is incremented and the shake's peak is detected and measured. If the peak's width is greater than the peak threshold set in this register, the shake counter continues to increment (measuring the duration of the peak event). When a shake condition is no longer detected, the peak-to-peak event is measured and the shake counter continues to increment (measuring the duration of the peak-to-peak event). When the peak-to-peak threshold is surpassed, the shake counter continues to increment, measuring the duration of the peak event. The shake counter continues to increment each time a peak or peak-to-peak threshold is surpassed. When the shake counter threshold is surpassed, the shake interrupt is set in the interrupt status registers (register 0x14, bit 3).

Addr	Name	Description	Bit 7	Bit 6	Bit 5	Bit 4	Bit 3	Bit 2	Bit 1	Bit 0	POR Value	R/W
0x48	PK_P2P_DUR_THRESH_LSB	Peak-to-Peak Duration LSB	PK_P2P_DUR[7]	PK_P2P_DUR[6]	PK_P2P_DUR[5]	PK_P2P_DUR[4]	PK_P2P_DUR[3]	PK_P2P_DUR[2]	PK_P2P_DUR[1]	PK_P2P_DUR[0]	0x00	W
0x49	PK_P2P_DUR_THRESH_MSB	Shake Duration and Peak-to-Peak Duration MSB	Resv	SHK_CNT_DUR[2]	SHK_CNT_DUR[1]	SHK_CNT_DUR[0]	PK_P2P_DUR[11]	PK_P2P_DUR[10]	PK_P2P_DUR[9]	PK_P2P_DUR[8]	0x00	W

**Table 53. Shake Duration and Peak-to-Peak Registers**

## 12.32 (0X4A) TIMER CONTROL REGISTER

The timer control register sets the period or duration of two features driven by the 10 Hz low speed clock.

Addr	Name	Description	Bit 7	Bit 6	Bit 5	Bit 4	Bit 3	Bit 2	Bit 1	Bit 0	POR Value	R/W
0x4A	TIMER_CTRL	Timer Control	TEMP_PER_INT_EN	TEMP_PERIOD[2]	TEMP_PERIOD[1]	TEMP_PERIOD[0]	Resv	TILT_35[2]	TILT_35[1]	TILT_35[0]	0x00	W

Name	Description
TILT_35[2:0]	Duration of a valid tilt-35 angle detection. <b>000</b> : 1.6 s (default) <b>001</b> : 1.8 s <b>010</b> : 2.0 s <b>011</b> : 2.2 s <b>100</b> : 2.4 s <b>101</b> : 2.6 s <b>110</b> : 2.8 s <b>111</b> : 3.0 s
TEMP_PERIOD[2:0]	Timeout or re-arm time for the temporary latch on the TEST_INT pin. <b>000</b> : 200 ms (default) <b>001</b> : 400 ms <b>010</b> : 800 ms <b>011</b> : 1600 ms <b>100</b> : 3200 ms <b>101</b> : 6400 ms <b>110</b> : Reserved <b>111</b> : Reserved
TEMP_PER_INT_EN	Temporary latch. <b>0</b> : The temporary latch feature is disabled (default). <b>1</b> : The temporary latch feature is enabled.

Table 54. Timer Control Register

### 12.33 (0X4B) READ COUNT REGISTER

The read count register (0x4B) sets length of FIFO burst read transactions.

Addr	Name	Description	Bit 7	Bit 6	Bit 5	Bit 4	Bit 3	Bit 2	Bit 1	Bit 0	POR Value	R/W
0x4B	RD_CNT	Read Count	RD_CNT[7]	RD_CNT[6]	RD_CNT[5]	RD_CNT[4]	RD_CNT[3]	RD_CNT[2]	RD_CNT[1]	RD_CNT[0]	0x06	RW

Bit	Name	Function	Description
7:0	RD_CNT[7:0]	Sample count to be used during I2C/SPI read cycles.	<p>0x06: POR value (default)</p> <p>If register 0x30 bit 7 (FIFO_BURST) is enabled, this register is the number of samples to be read in single burst read transaction. A sample is one 6-byte sample from the FIFO and optionally one or two status bytes from registers 0x13 and 0x14 (a sample can be 6, 7, or 8-bytes long). Note this parameter is a sample count, not a byte count.</p> <p>If FIFO burst mode is disabled, this parameter is not used.</p>

**Table 55. Read Count Register**

# 13 INDEX OF TABLES

Table 1. Order Information.....	5
Table 2. Package Information.....	5
Table 3. Pin Description.....	9
Table 4. Absolute Maximum Ratings.....	16
Table 5. Sensor Characteristics.....	17
Table 6. Electrical Characteristics.....	18
Table 7. Electrical and Timing Characteristics - Interface.....	19
Table 8. I2C Timing Characteristics.....	20
Table 9. SPI Interface Timing Parameters.....	21
Table 10. Summary of Resolution, Range, and Scaling.....	22
Table 11. Operational States.....	23
Table 12. Forcing Operational States.....	24
Table 13. Interrupt Overview.....	25
Table 14. Interrupt servicing details (Motion + Sample).....	29
Table 15. Interrupt servicing details (FIFO).....	29
Table 16. GPIO Control Register.....	30
Table 17. Interrupt drive and polarity control.....	30
Table 18. Swapping Interrupt Requests, register 0x31 bit 4.....	31
Table 19. Combining interrupt requests, register 0x2D bit 3.....	31
Table 20. Sample Rate Settings.....	32
Table 21. Hardware Decimation Ratios.....	33
Table 22. I2C Address Selection.....	34
Table 23. Register Summary.....	41
Table 24. Device Status Register.....	42
Table 25. Interrupt Enable Register.....	43
Table 26. Mode Register States.....	44
Table 27. Sample Rate Register.....	45
Table 28. Sample Rate Values.....	45
Table 29. Motion Control Register.....	46
Table 12-30: FIFO read pointer, register 0x0B.....	48
Table 12-31: FIFO write pointer, register 0xC.....	49
Table 32. Accelerometer LSB and MSB Registers.....	50

Table 33. Status Register .....	51
Table 34. Interrupt Status Register .....	52
Table 35. Range and Scale Control Register .....	53
Table 36. X-Axis Digital Offset Registers.....	54
Table 37. Y-Axis Digital Offset Registers.....	55
Table 38. Z-Axis Digital Offset Registers.....	56
Table 39. X-Axis Digital Gain Registers .....	57
Table 40. Y-Axis Digital Offset Registers.....	58
Table 41. Z-Axis Digital Offset Registers.....	59
Table 42. FIFO Control bit assignments.....	61
Table 43. FIFO Threshold level bit assignments .....	62
Table 44. Interrupt status bit assignments.....	63
Table 45. FIFO Control 2 bit assignments.....	65
Table 46. Communication Control bit assignments .....	66
Table 47. GPIO Control Register .....	67
Table 48. Tilt/Flip Threshold Registers .....	68
Table 49. Tilt/Flip Debounce Register .....	69
Table 50. AnyMotion Threshold Registers .....	70
Table 51. AnyMotion Debounce Register.....	71
Table 52. Shake Threshold Registers.....	72
Table 53. Shake Duration and Peak-to-Peak Registers .....	73
Table 54. Timer Control Register.....	74
Table 55. Read Count Register .....	75

## 14 REVISION HISTORY

Date	Revision	Description
2019-05	APS-048-0071v1.0	Initial release
2019-06	APS-048-0071v1.01	Fixed a few formatting issues
2020-07-13	APS-048-0071v1.1	Change to MEMSIC format based on the License Agreement with mCube

MEMSIC

# Mouser Electronics

Authorized Distributor

Click to View Pricing, Inventory, Delivery & Lifecycle Information:

[MEMSIC:](#)

[MC3419](#)