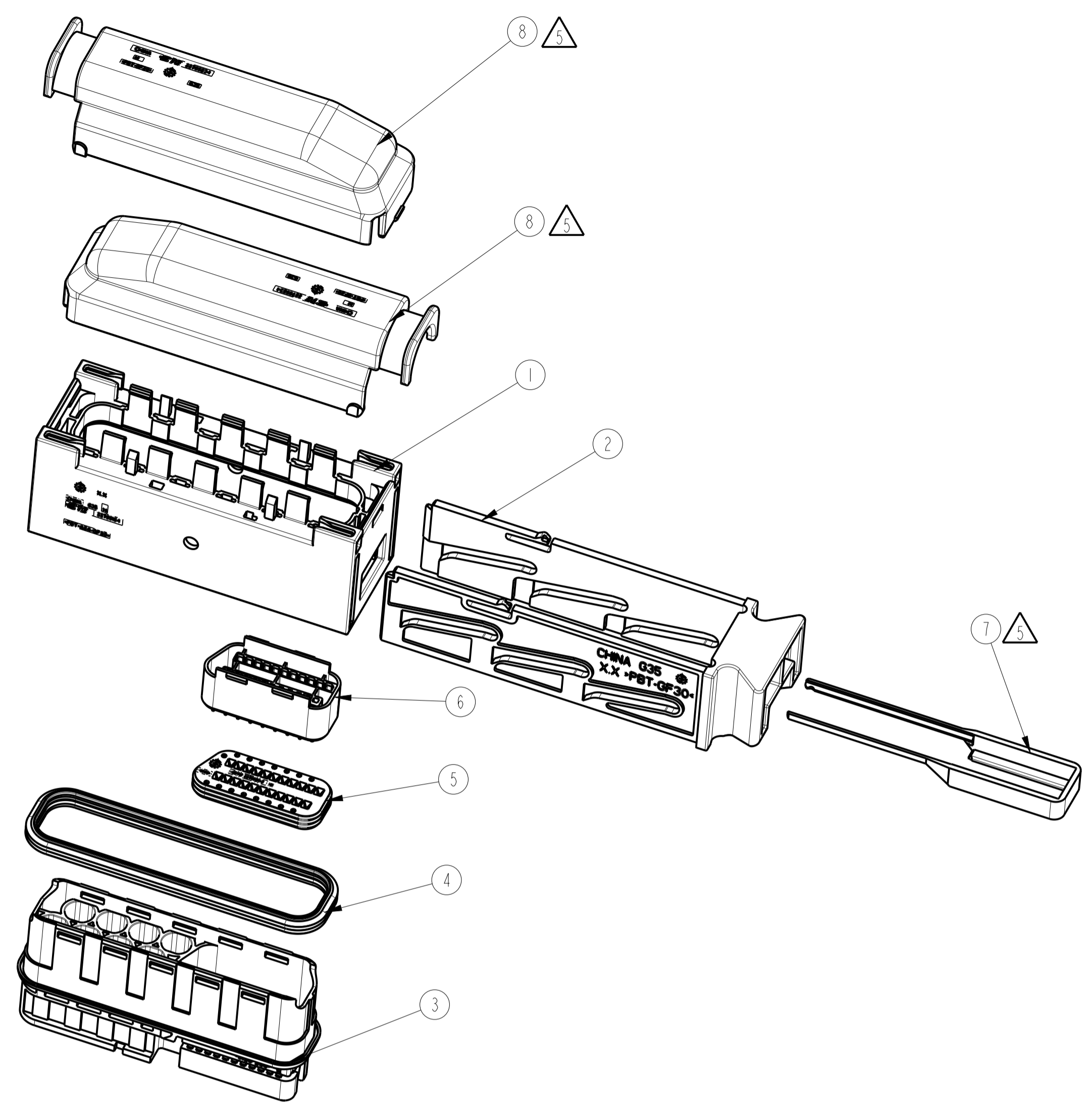
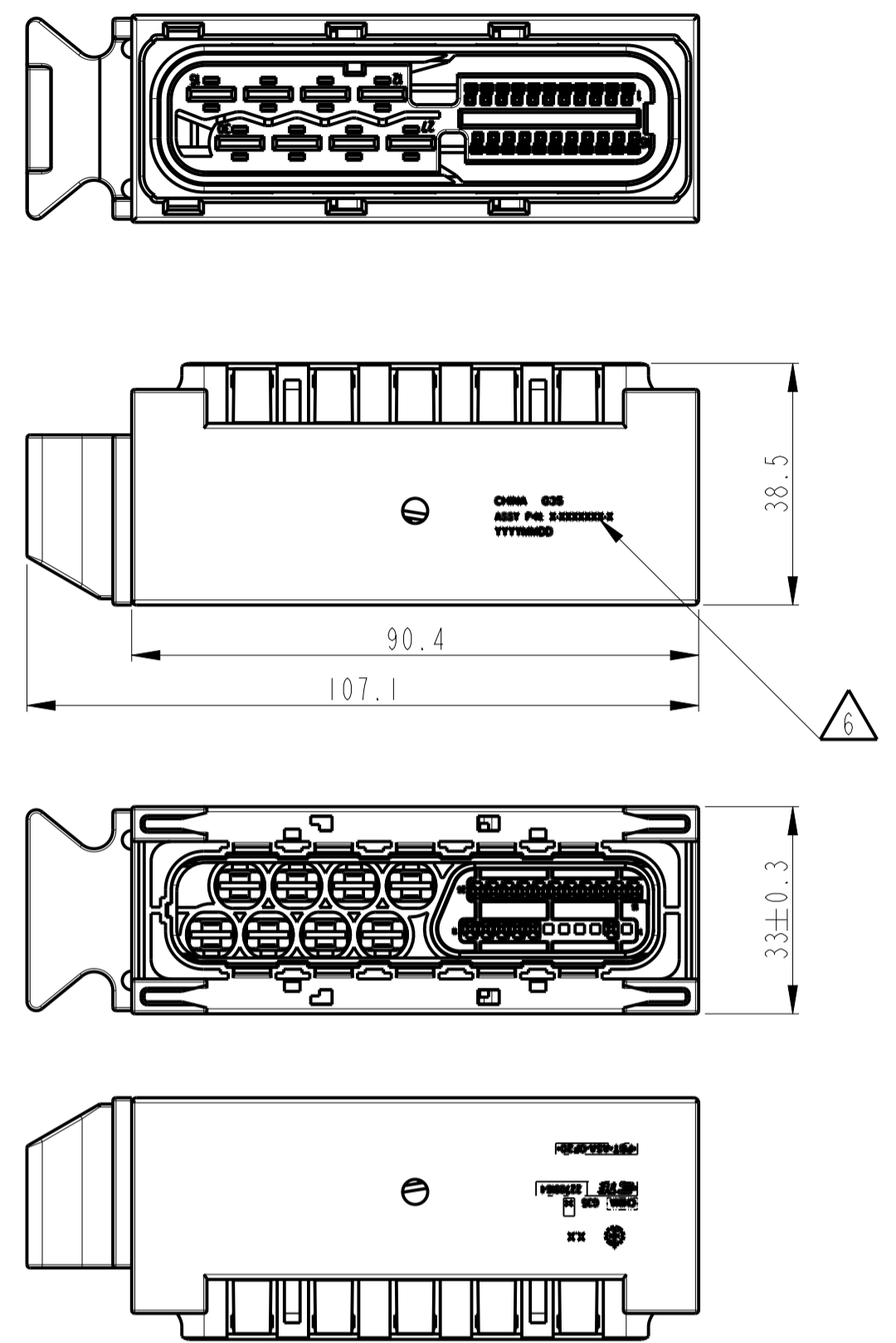


EXPLODE VIEW OF 1-2278915-X TOGETHER WITH ACCESSORY OF COVER AND RETAINER



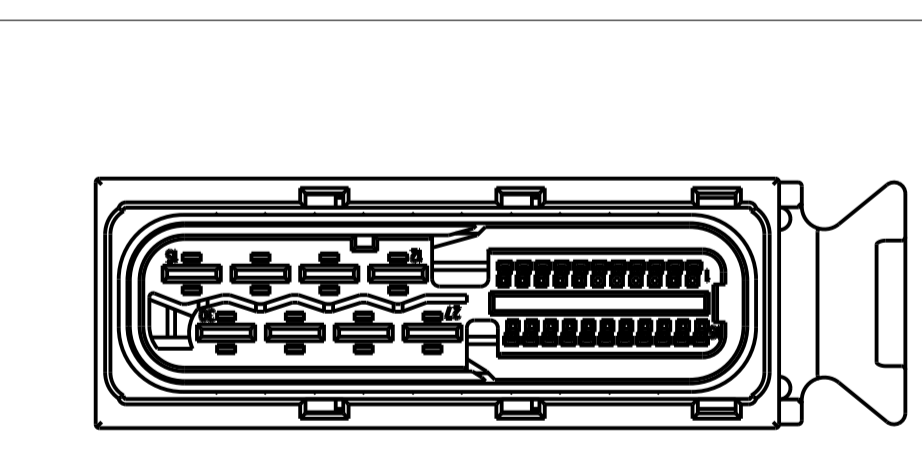
EXPLODE VIEW OF 2-2278915-X TOGETHER WITH ACCESSORY OF COVER AND RETAINER

REVISIONS				
P.	LTM	DESCRIPTION	DATE	OWN APVD
A2		ADDING NEW P/N 1-2278915-4	07JAN2016	T.W S.W
A3		TOLERANCE ADJUST	01FEB2016	T.W S.W
A4		ECR-19-004276	19MAR2019	J.L I.Y
A5		REVISION(ECR-21-003844)	01APR2021	V.S J.Z

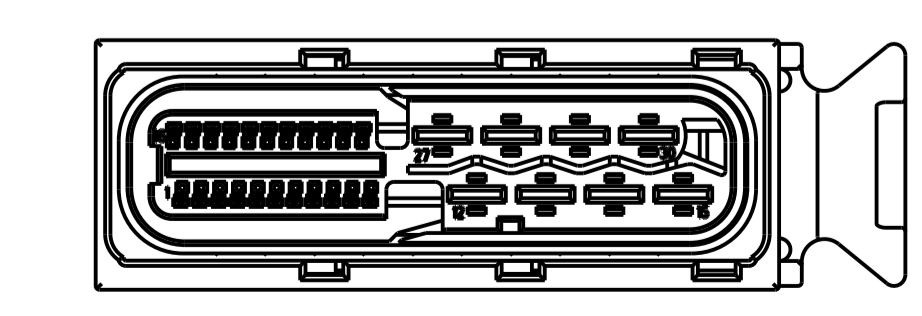


NOTES

- 1 USED WITH MOS-CB 0.63 MM CONTACTS AND AMP MCP 4.8K CONTACTS
 E.G.: MOS-CB CONTACT 968220
 E.G.: MCP CONTACT 1241410, 1241414, 1241416
- 2 USED WITH SINGLE WIRE SEAL, E.G. 963243, 963244, 963245
- 3 MATING PART INTERFACE ACC. TO DRAWING 114-18604, 114-18674
- 4 PACKAGING: PACKED IN LAYERS
- 5 ACCESSORY PARTS TO BE ORDERED SEPARATLY
- 6 TE ASSY-NO SEE TABLE



26	25	24	23	22	21	20	19	18	17	16	15	14	13	12	11	10	9	8	7	6	5	4	3	2	1	SLIDER OPERATION	TE PART NO.	REV.	MATERIAL	COLOUR SEALING HOLDER	DESCRIPTION	QTY.	ITEM NO.
																										LEFT	2278923-1	A	PBT-GF20		COVER	1	8
																										LEFT	2278922-1	A	PBT-GF30	RED	RETAINER	1	7
																										LEFT	2-2278915-3	A	-		REC.HSG., 22+8 POSN., ASSY	1	-
X	X	X	X	X																						LEFT	2278923-1	A	PBT-GF20		COVER	1	8
																										LEFT	2278922-1	A	PBT-GF30	BROWN	RETAINER	1	7
																										LEFT	2-2278915-2	A	-		REC.HSG., 22+8 POSN., ASSY	1	-
																										LEFT	2278923-1	A	PBT-GF20		COVER	1	8
																										LEFT	2278922-1	A	PBT-GF30	BLACK	RETAINER	1	7
																										LEFT	2-2278915-1	A	-		REC.HSG., 22+8 POSN., ASSY	1	-



26	25	24	23	22	21	20	19	18	17	16	15	14	13	12	11	10	9	8	7	6	5	4	3	2	1	SLIDER OPERATION	TE PART NO.	REV.	MATERIAL	COLOUR SEALING HOLDER	DESCRIPTION	QTY.	ITEM NO.
																										RIGHT	2278923-1	A	PBT-GF20		COVER	1	8
																										RIGHT	2278922-1	A	PBT-GF30	BLUE	RETAINER	1	7
																										RIGHT	1-2278915-4	A	-		REC.HSG., 22+8 POSN., ASSY	1	-
																										RIGHT	2278923-1	A	PBT-GF20		COVER	1	8
																										RIGHT	2278922-1	A	PBT-GF30	RED	RETAINER	1	7
																										RIGHT	1-2278915-3	A	-		REC.HSG., 22+8 POSN., ASSY	1	-
X	X	X	X	X																						RIGHT	2278923-1	A	PBT-GF20		COVER	1	8
																										RIGHT	2278922-1	A	PBT-GF30	BROWN	RETAINER	1	7
																										RIGHT	1-2278915-2	A	-		REC.HSG., 22+8 POSN. ASSY	1	-
																										RIGHT	2278923-1	A	PBT-GF20		COVER	1	8
																										RIGHT	2278922-1	A	PBT-GF30	BLACK	RETAINER	1	7
																										RIGHT	1-2278915-1	A	-		REC.HSG., 22+8 POSN., ASSY	1	-

TE ASSY P/N	DESCRIPTION	QTY	ITEM
X	SEALING-HOLDER, BLUE	1	6
X	SEALING-HOLDER, RED	1	6
X	SEALING-HOLDER, BROWN	1	6
X	SEALING-HOLDER, BLACK	1	6
X	FAMILY SEAL. 22 POSN.	1	5
X	PERIPHERAL SEAL	1	4
X	REC.HSG. MOS-CB+MCP 4.8	1	3
X	SLIDE	1	2
X	MAIN REC. HSG.	1	1

THIS DRAWING IS A CONTROLLED DOCUMENT. OWN: T. WANG 11DEC2014
 CHK: H. YE 15DEC2014
 APVD: S. WANG 17DEC2014

TE Connectivity
REC. HSG. 30 POSN., ASSY, (EPB)

PRODUCT SPEC: 108-3431
 APPLICATION SPEC

SIZE: A1 CAGE CODE: DRAWING NO: C=2278915
 SCALE: 1:2 SHEET: 1 OF 1 REV: A5