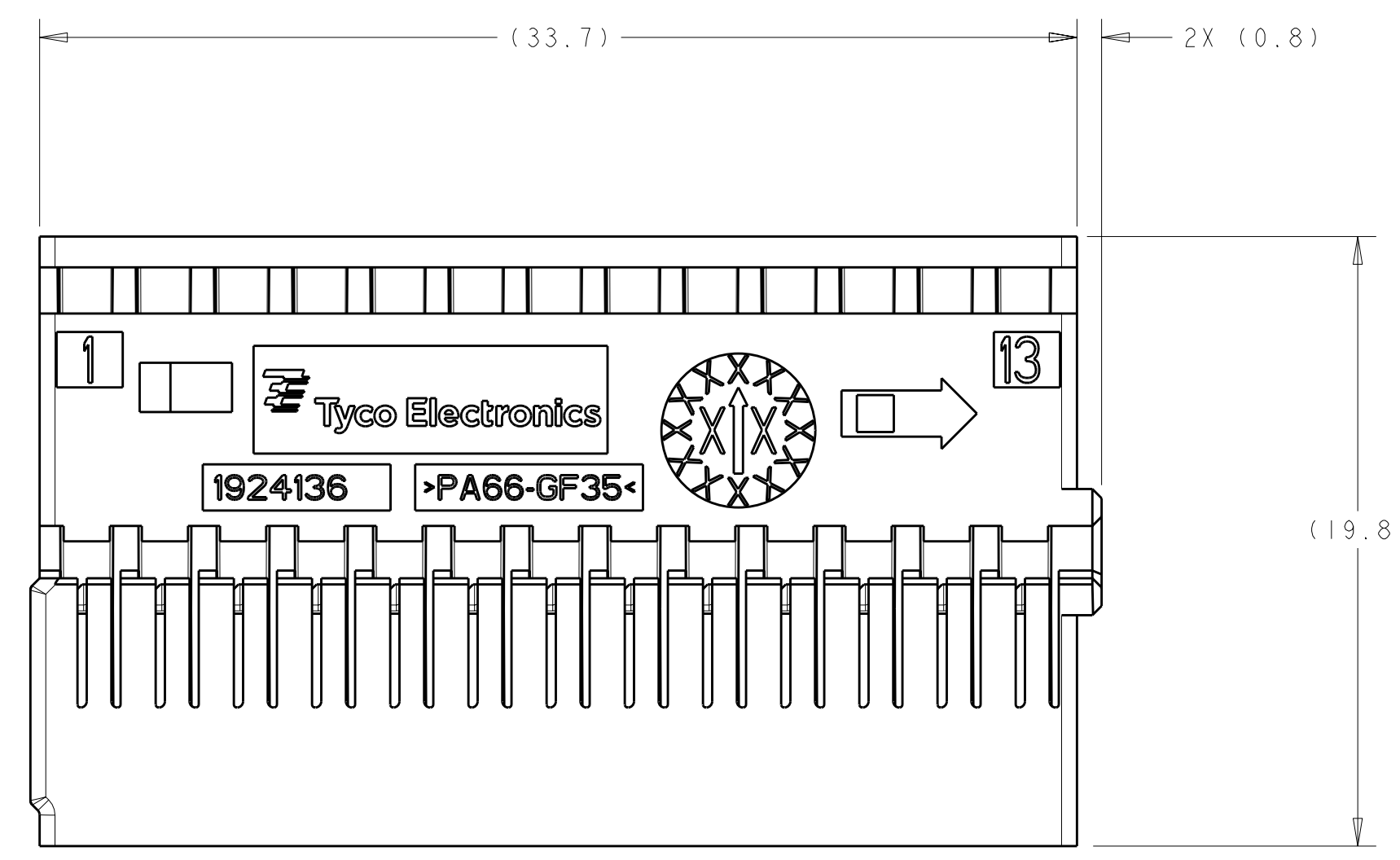
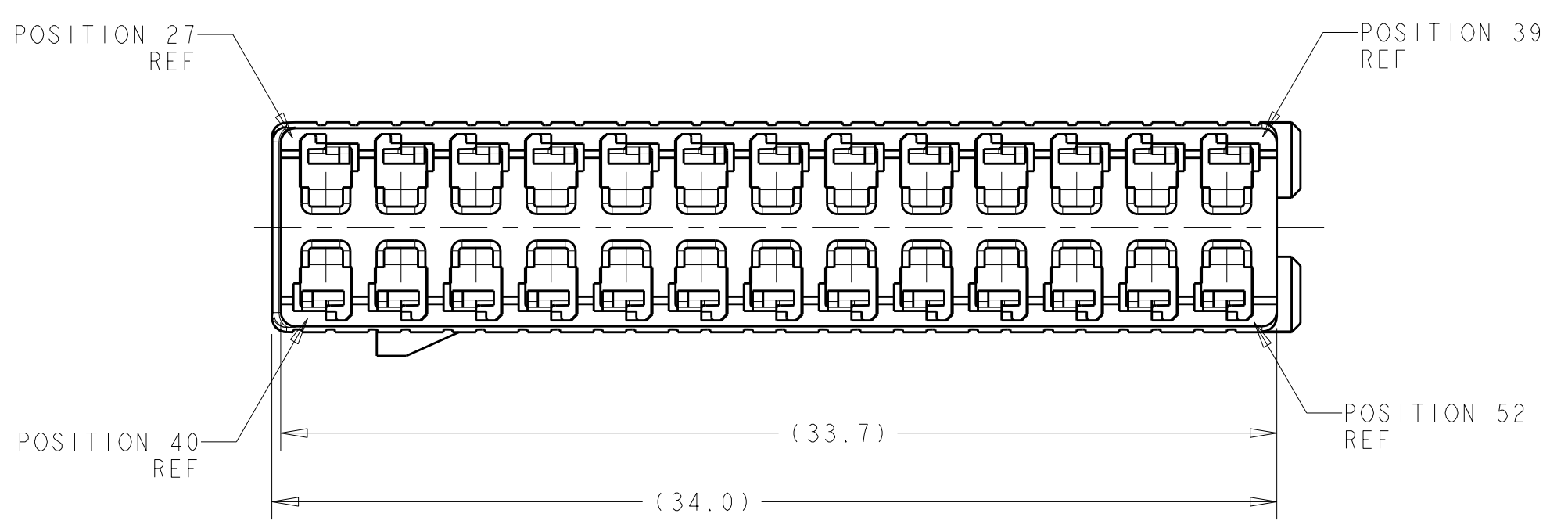
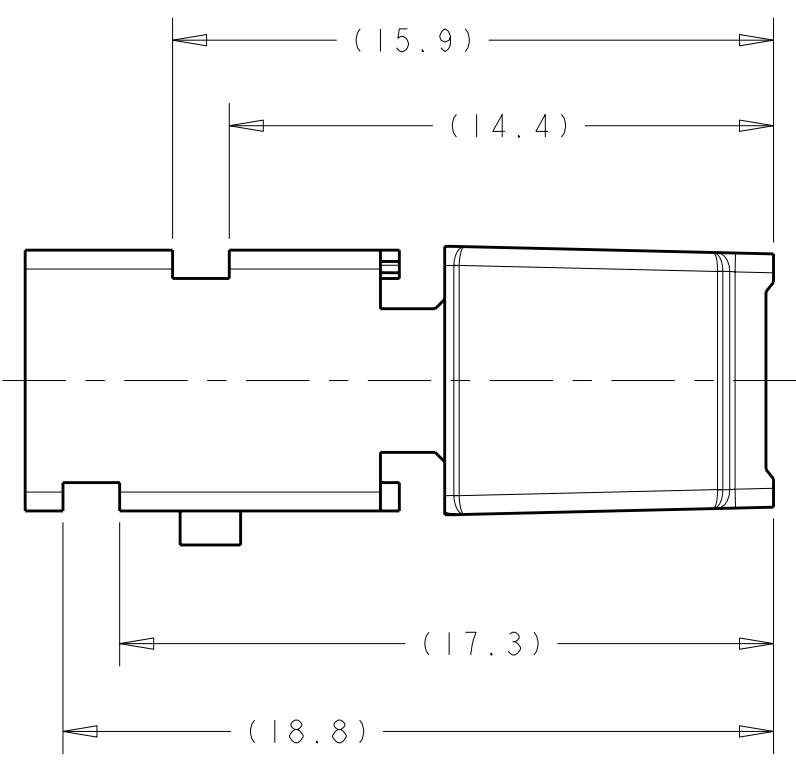
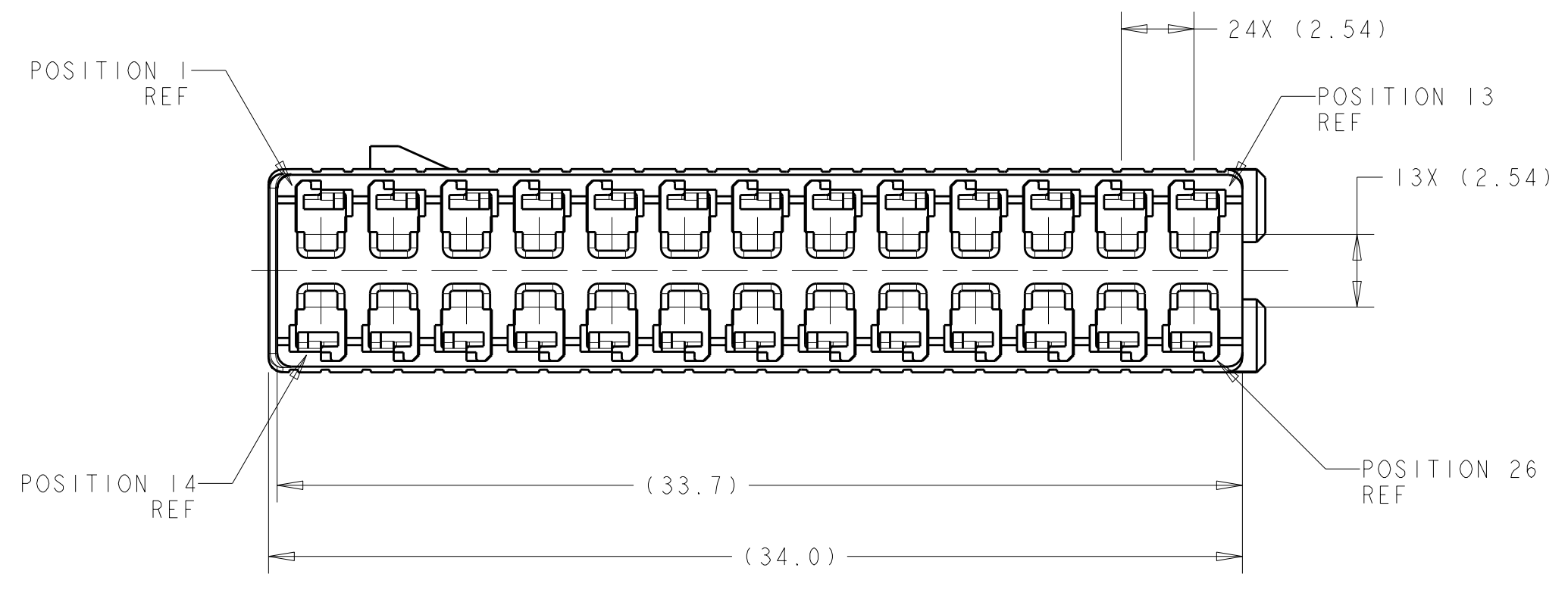
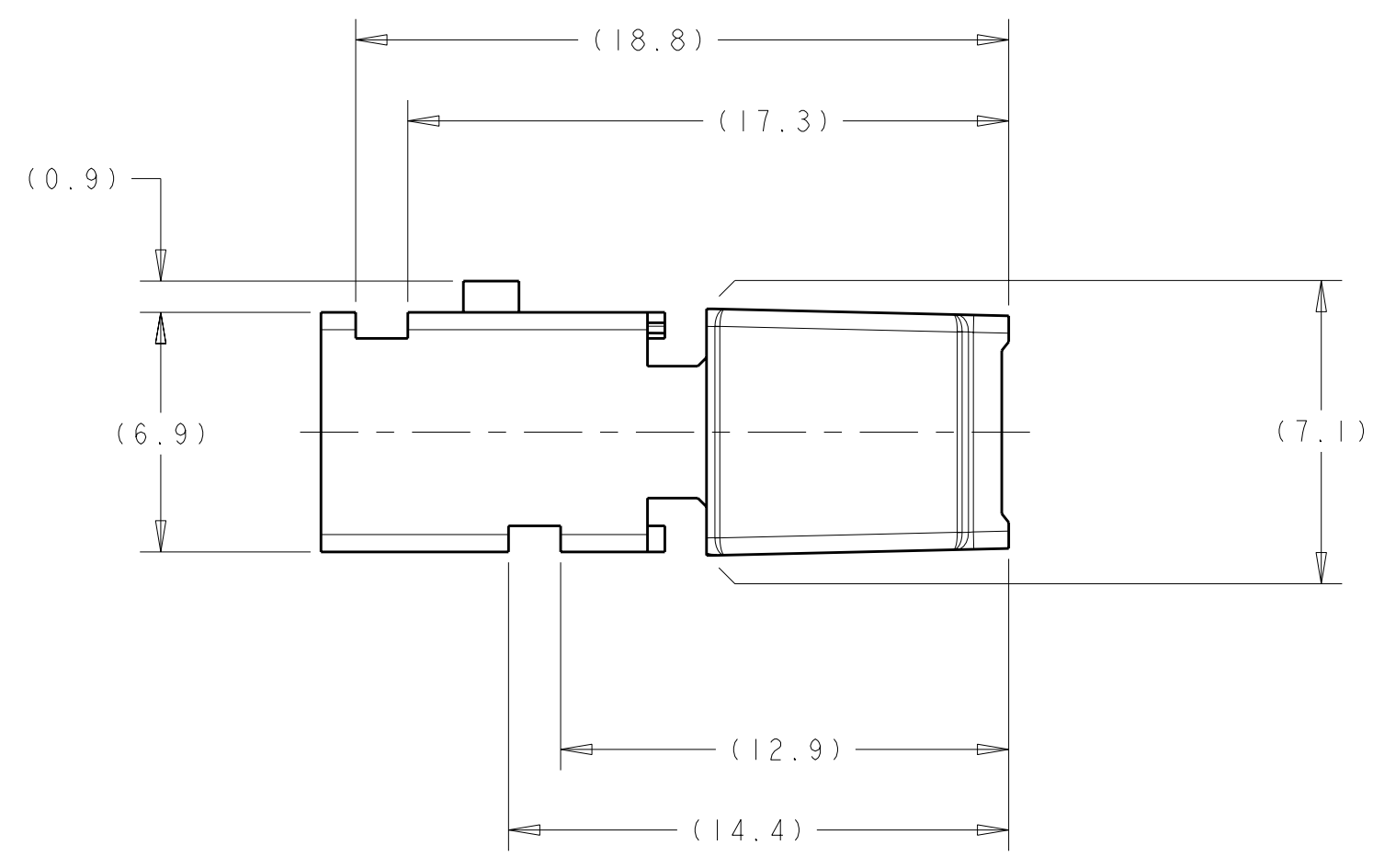


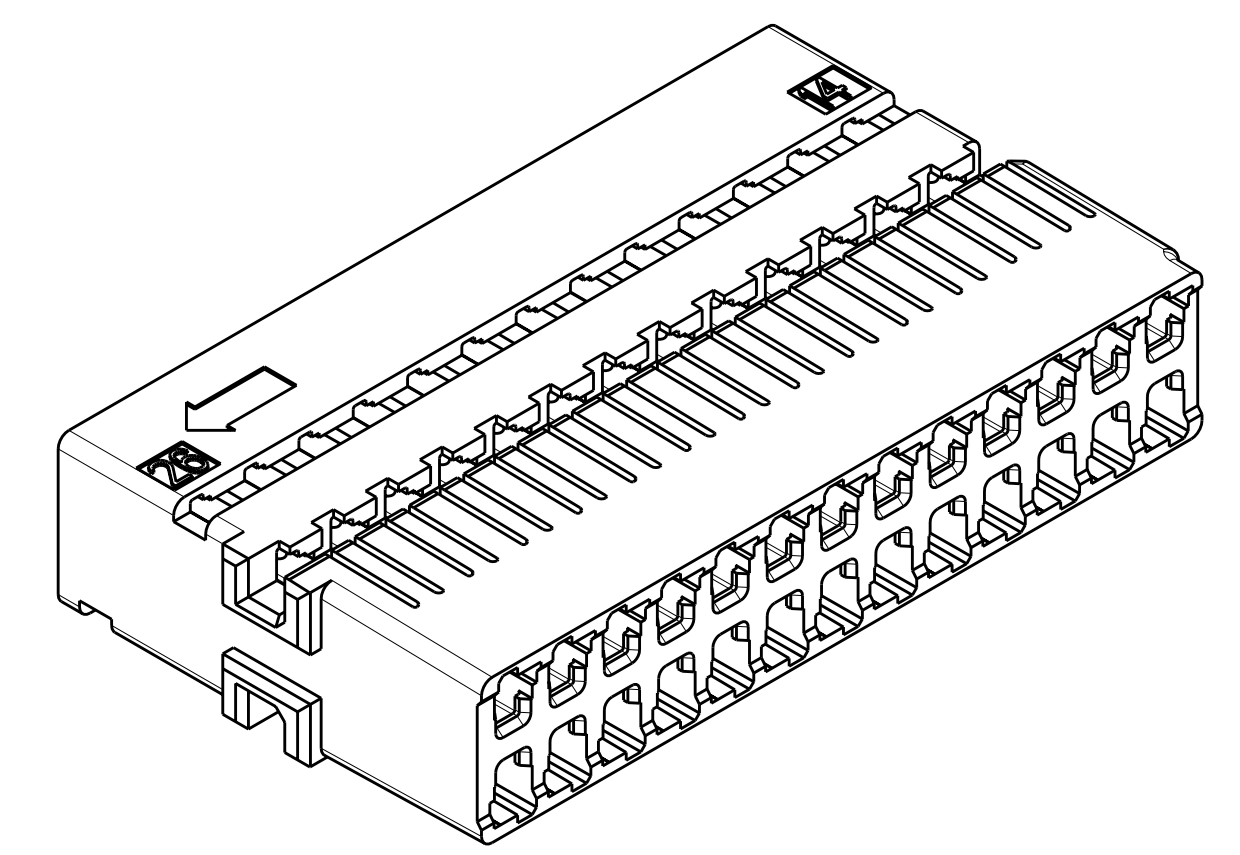
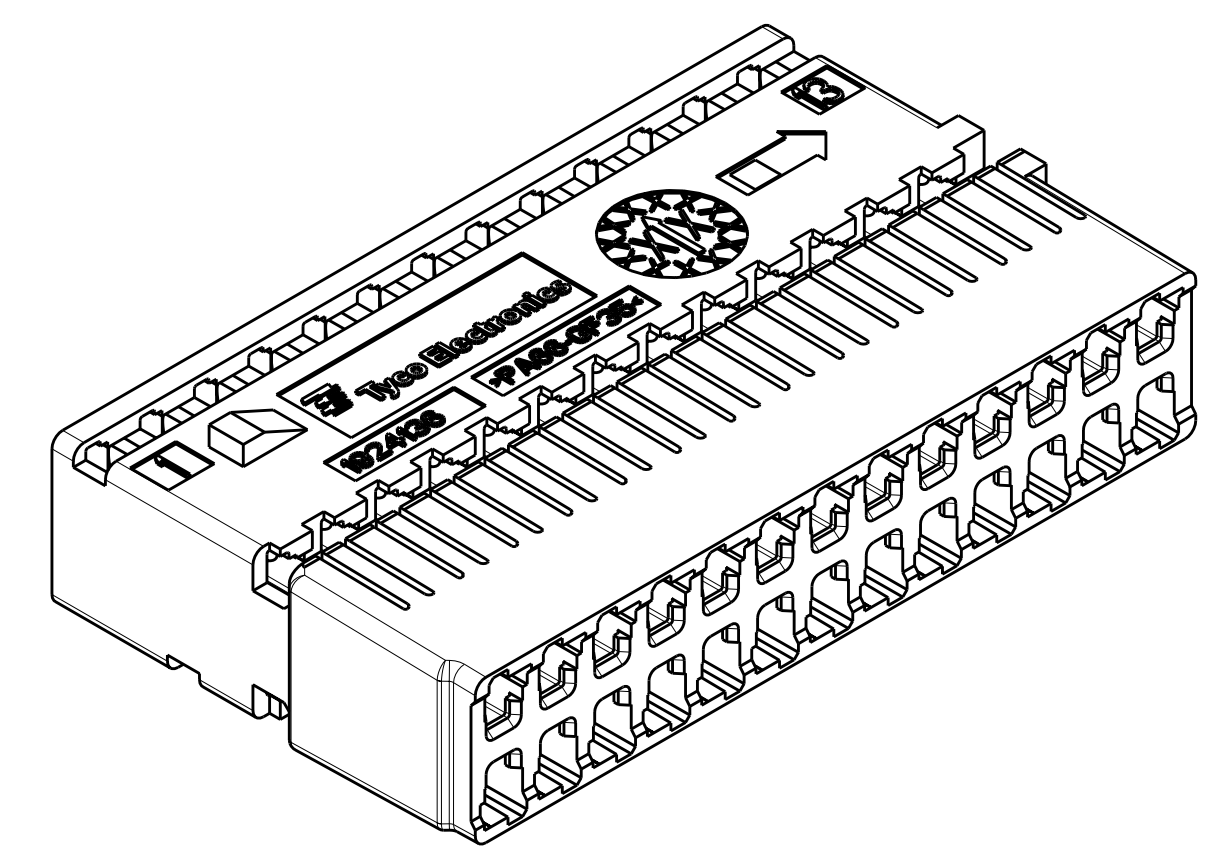
| LOC | DIST | REVISIONS | | | |
|-----|------|------------------------|-----------|-----|------|
| P | LTB | DESCRIPTION | DATE | DWN | APVD |
| A | | INITIAL RELEASE | 12FEB2008 | DJH | RDH |
| A1 | | REVISED PER ECO-021788 | 02SEP2008 | DLD | CJS |



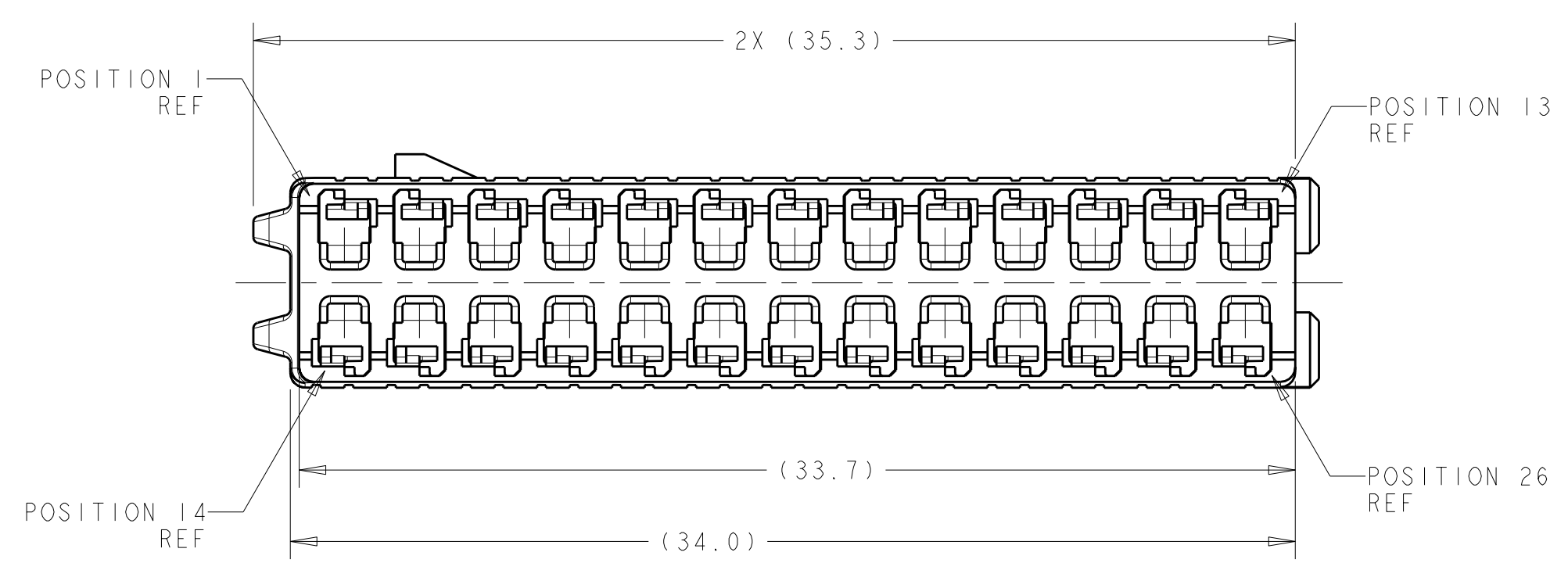
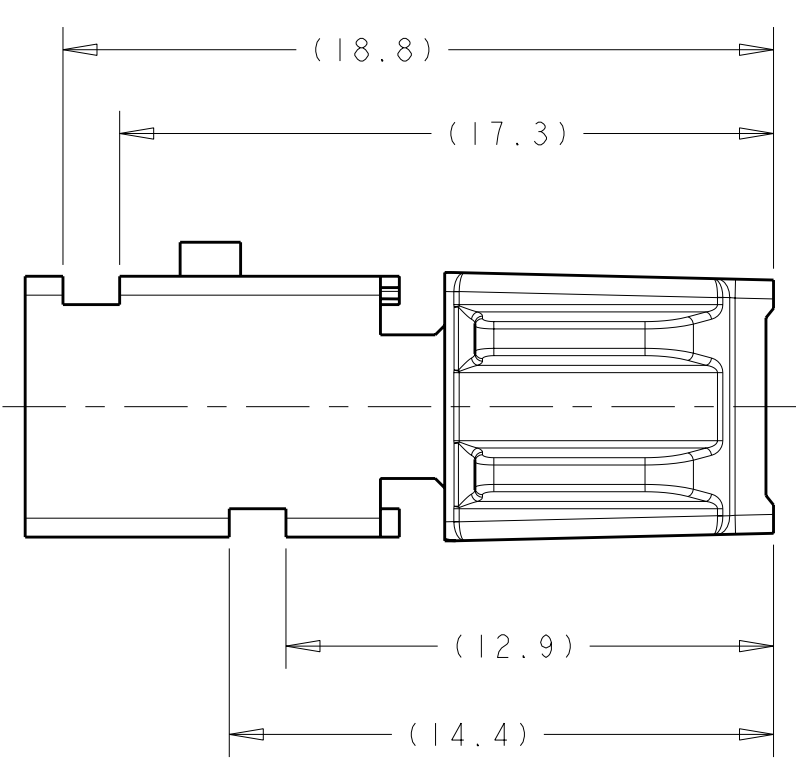
△ NYLON 6/6, COLOR: SEE TABLE, 35% GLASS FILLED.
 2. CONTACTS SOLD SEPARATELY. SEE DRAWING NUMBER 1456574 FOR TERMINATION AND REELING OPTIONS.



DETAIL B



ISOMETRIC VIEWS
SCALE 4:1



DETAIL C

| CONFIGURATION | COLOR | PART NUMBER |
|--------------------|-------|-------------|
| 1924141-1 THRU 1-0 | BLACK | 1924136-3 |
| 1924346-1 THRU -6 | GRAY | 1924136-2 |
| 1924346-1 THRU -6 | BLACK | 1924136-1 |

| | | | | | |
|-----------------------|--|--|--|---|---|
| DIMENSIONS: mm | | TOLERANCES UNLESS OTHERWISE SPECIFIED: 9 PLC ± 8 PLC ± 5 PLC ± 4 PLC ± ANGLES ± FINISH | | DWN: D.J. HARDY 12FEB2008 CHK: R.D. HETRICK 12FEB2008 APVD: R.D. HETRICK 12FEB2008 | Tyco Electronics Harrisburg, PA 17105-3608 |
| MATERIAL: | | WEIGHT: - CUSTOMER DRAWING | | NAME: CARRIER, 26 POSITION, GENERATION Y, 0.64mm LAC CONNECTOR SIZE: A CAGE CODE: 100779 DRAWING NO: 1924136 RESTRICTED TO: A1 | |