

Click to view price, real time Inventory,  
Delivery & Lifecycle Information ;

**US9111-006S**

**UINSENSE**

Pressure Sensor

Any questions, please feel free to contact us.

[info@kaimte.com](mailto:info@kaimte.com)



## **Features**

- ◆ Low Cost
- ◆ Gauge Version and Absolute Version
- ◆ Constant Current or Constant Voltage Drive
- ◆ High Output
- ◆ Wide Pressure Range Available from 5.8psi to 30psi

## **Applications**

- ◆ Medical Instrumentation
- ◆ Altimeter
- ◆ Weather Forecast
- ◆ Pressure Gauge
- ◆ Industrial Sensor
- ◆ Home Appliances



## Specification

Type of package	DIP or SMD
Pressure medium	Dry air or non-corrosive gas

	Min	Nominal	Max	Unit
Excitation Voltage		5	10	V
Excitation Current		1.00	2.00	mA
Bridge Impedance	4	5	6	kΩ
Span <sup>1</sup>				
5.8 psi	40	70	100	mV
15 psi	40	70	100	mV
15 psi **	130	170	210	mV
30 psi	70	100	130	mV
Offset	-30	0	30	mV
TC Span <sup>2</sup> (Constant Voltage)	-0.17	-0.22	-0.27	%FS/°C
TC Span <sup>3</sup> (Constant Current)	-0.05	±0.02	+0.05	%FS/°C
TC Offset <sup>2</sup>	-0.08	-0.02	+0.08	%FS/°C
Linearity <sup>4</sup>	-0.3	±0.1	+0.3	%FS
Hysteresis	-0.3	±0.1	+0.3	%FS
Proof Pressure			2X	Rated FS
Burst Pressure			3X	Rated FS
Operating Temperature	-40		125	°C
Storage Temperature	-55		150	°C

<sup>1</sup> Unless otherwise specified, span is measured at 5.0V Constant Voltage supply at 25°C.

<sup>2</sup> Unless otherwise specified, temperature coefficients are measured from 0°C to 50°C @ 5V Constant voltage excitation.

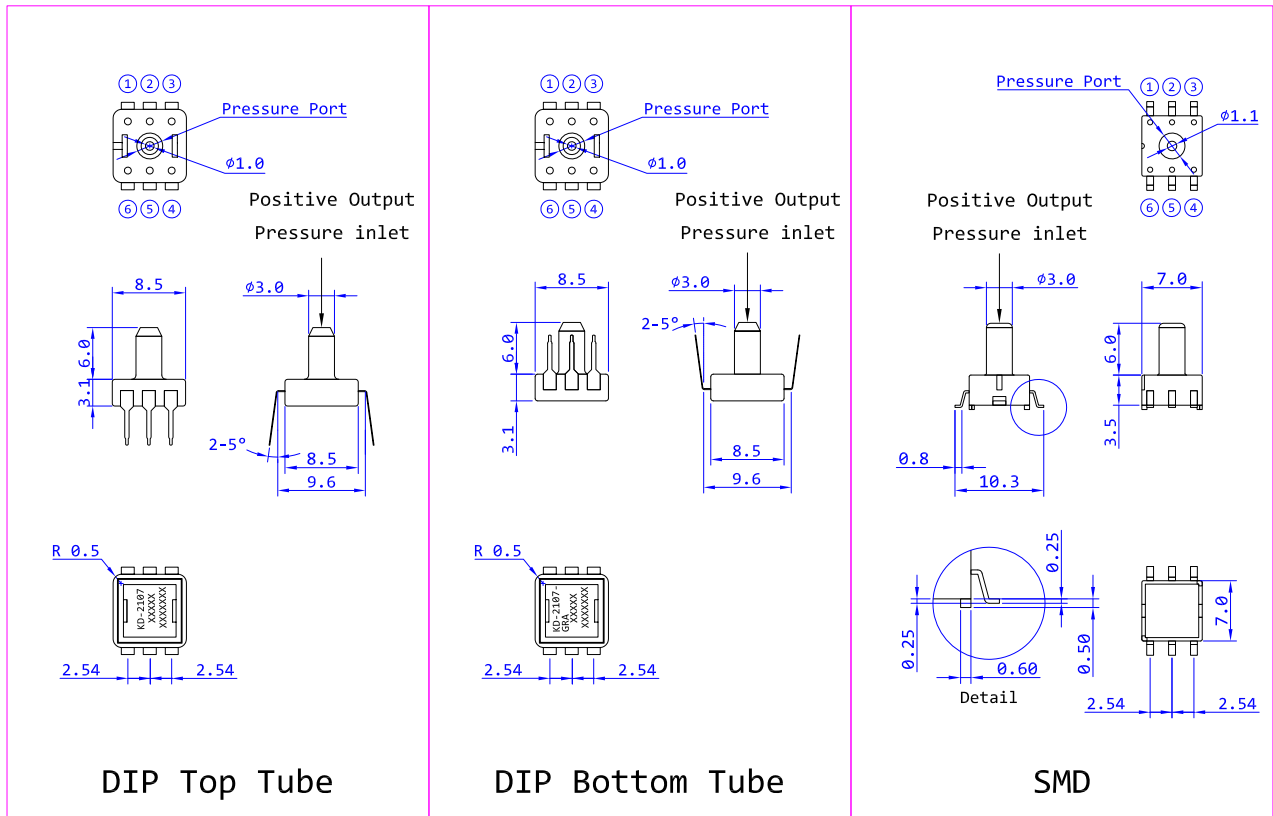
<sup>3</sup> Unless otherwise specified, temperature coefficients are measured from 0°C to 50°C @ 1mA Constant Current excitation.

<sup>4</sup> Defined as best straight line.

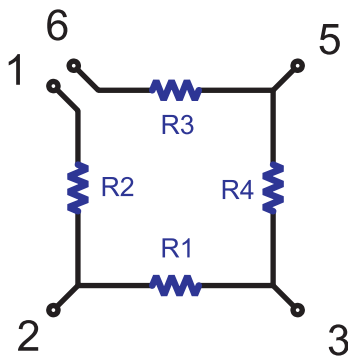
\*\* 15 psi high sensitivity type, linearity characterized at 700mbar and 1100mbar

## Pads Layout and Definition

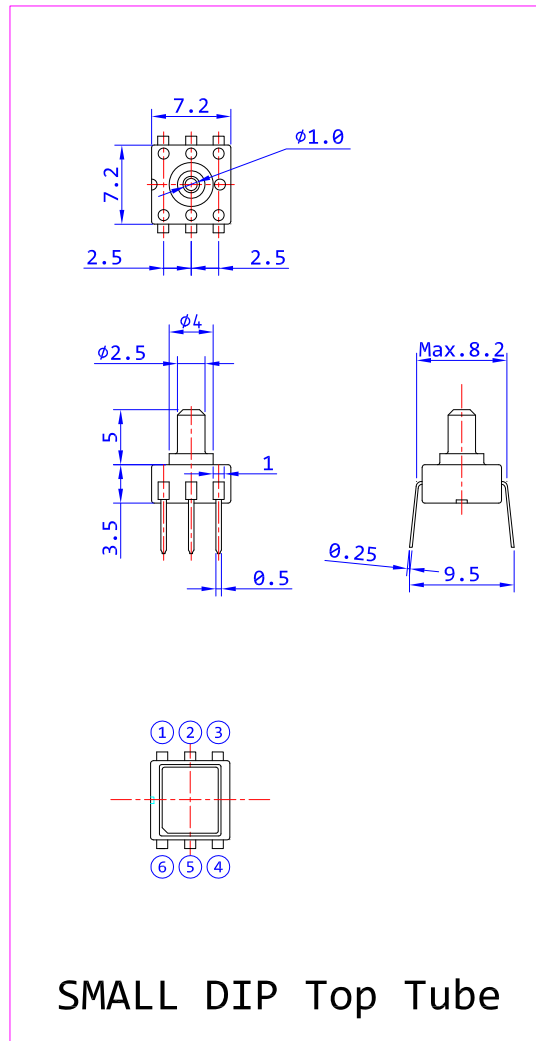
Tube type



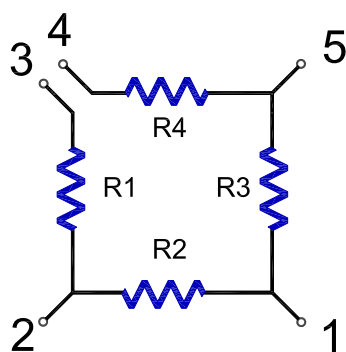
Unit: mm



Pin	Definition
1	Gnd
2	S+
3	Ext
4	N/C
5	S-
6	Gnd

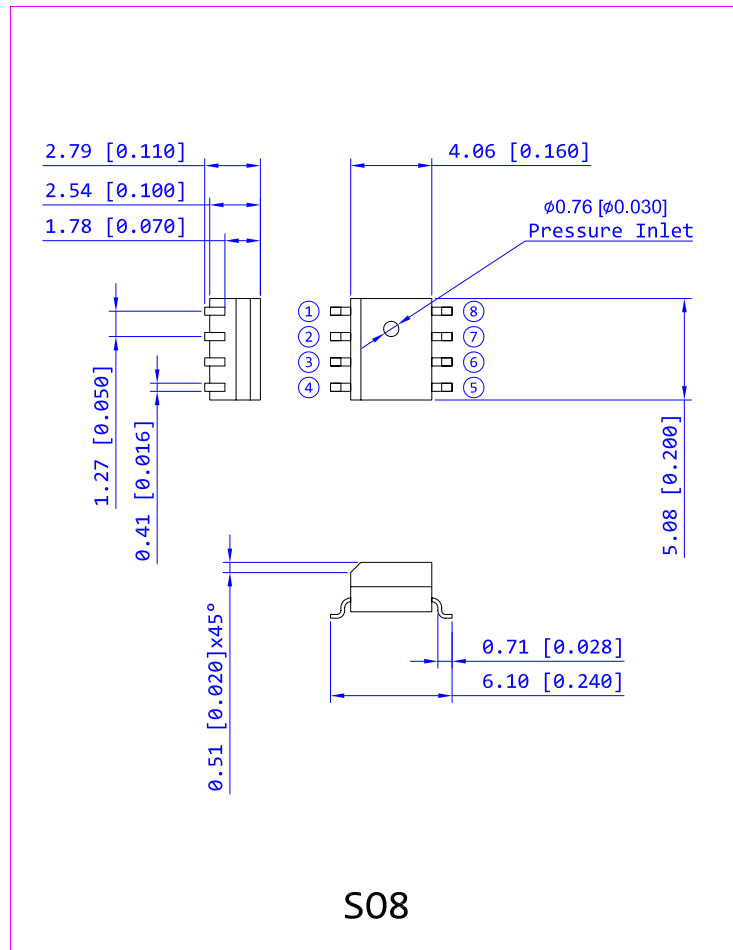


Unit: mm

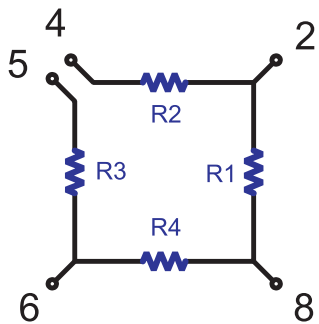


Pin	Definition
1	Ext
2	S+
3	Gnd
4	Gnd
5	S-
6	N/C

## Hole type



Unit: mm[in]

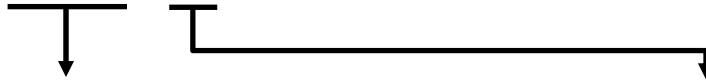


Pin	SO8
1	N/C
2	S+
3	N/C
4	Gnd
5	Gnd
6	S-
7	N/C
8	Ext



**Ordering Information**

US – 9111 - □□□ - □



006	5.8 psi
015	15 psi
H15	15 psi High sensitivity type
030	30 psi

D	DIP Top tube
U	DIP Bottom tube
S	SMD Top tube
8	SO8 Hole
N	SMALL DIP Top tube