

Click to view price, real time Inventory,  
Delivery & Lifecycle Information ;

# MP23DB01HPTR

STMicroelectronics

MEMS Microphones MEMS audio sensor multi performance  
mode digital microphone

Any questions, please feel free to contact us.  
[info@kaimte.com](mailto:info@kaimte.com)

## MEMS audio sensor: digital microphone with multiple performance modes

Datasheet - production data



### Features

- Omnidirectional digital microphone
- Very low distortion / very high AOP
  - 135 dB SPL acoustic overload point
- Multiple performance modes (sleep, low-power, performance)
- Typ. current consumption
  - 2  $\mu$ A (sleep mode)
  - 285  $\mu$ A (low-power mode)
  - 800  $\mu$ A (performance mode)
- Sensitivity matching
- PDM single-bit output with option for stereo configuration
- RHLGA package
  - Bottom-port design
  - SMD-compliant
  - EMI-shielded
  - ECOPACK, RoHS and “Green” compliant

### Applications

- Smartphones and handsets
- Laptop and notebook computers
- Wearable devices
- Devices enabling always-on feature
- Digital still and video cameras
- Antitheft systems

### Description

The MP23DB01HP is an ultra-compact, low-power, omnidirectional, digital MEMS microphone built with a capacitive sensing element and an IC interface with stereo operation capability.

The sensing element, capable of detecting acoustic waves, is manufactured using a specialized silicon micromachining process dedicated to producing audio sensors.

The IC interface is manufactured using a CMOS process that allows designing a dedicated circuit able to provide a digital signal externally in PDM format.

The MP23DB01HP offers multiple performance modes (power-down, low-power and performance mode) enabled by different clock frequency ranges. The device has a very high AOP in performance mode, sensitivity range of  $\pm 1$  dB and high SNR for all operative modes.

The MP23DB01HP is available in a bottom-port, SMD-compliant, EMI-shielded package and is guaranteed to operate over an extended temperature range from  $-40$  °C to  $+85$  °C.

**Table 1. Device summary**

Part number	Temperature range [°C]	Package	Packing
MP23DB01HPTR	-40 to +85	RHLGA 5LD (3.5 x 2.65 x 0.98) mm	Tape and reel

---

# Contents

<b>1</b>	<b>Pin description</b> .....	<b>3</b>
<b>2</b>	<b>Acoustic and electrical specifications</b> .....	<b>4</b>
	2.1 Acoustic and electrical characteristics .....	4
	2.2 Timing characteristics .....	6
	2.3 Frequency response .....	7
<b>3</b>	<b>Absolute maximum ratings</b> .....	<b>8</b>
<b>4</b>	<b>Functionality</b> .....	<b>9</b>
	4.1 L/R channel selection .....	9
<b>5</b>	<b>Application recommendations</b> .....	<b>10</b>
<b>6</b>	<b>Package information</b> .....	<b>11</b>
<b>7</b>	<b>Revision history</b> .....	<b>14</b>

# 1 Pin description

Figure 1. Pin connections

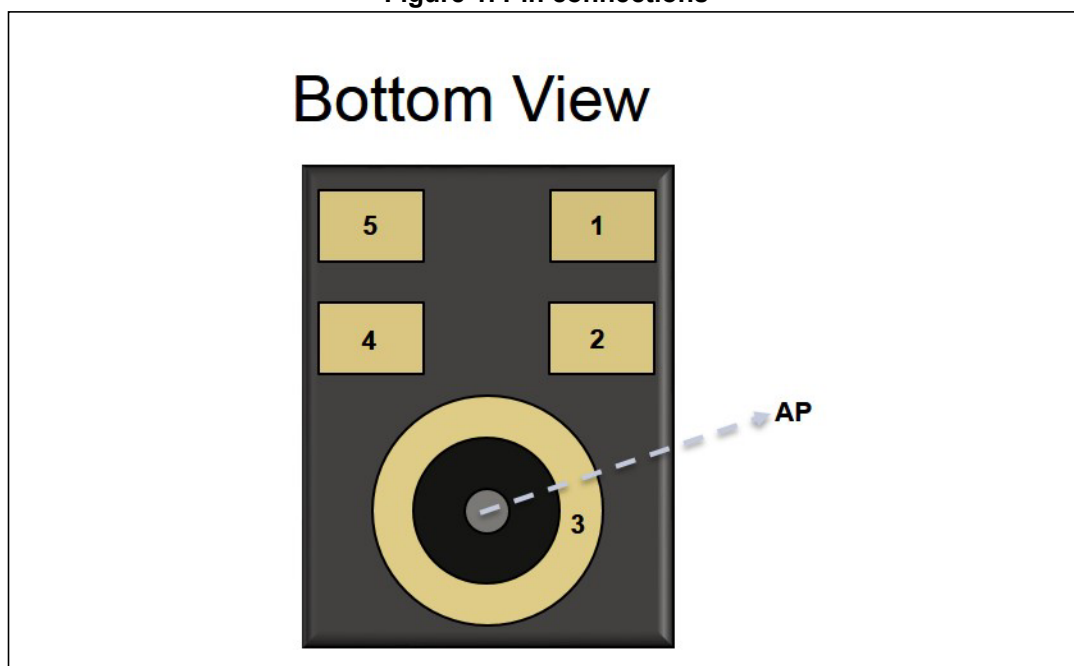


Table 2. Pin description

Pin #	Pin name	Function
1	DOUT	Left/right PDM data output
2	L/R	Left/right channel selection
3 (ground ring)	GND	0 V supply
4	CLK	Synchronization input clock
5	VDD	Supply voltage

## 2 Acoustic and electrical specifications

### 2.1 Acoustic and electrical characteristics

The values listed in the table below are specified for Vdd = 1.8 V, Clock = 2.4 MHz, T = 25 °C, no load, unless otherwise noted.

**Table 3. General microphone specifications**

Symbol	Parameter	Test condition	Min.	Typ. <sup>(1)</sup>	Max.	Unit
Vdd	Supply voltage		1.6	1.8	3.6	V
fclk	Clock frequency range <sup>(2)(3)</sup>	Power-down mode	0		0.15	MHz
		Low-power mode	0.54	0.768	1.1	
		Performance mode	1.5	2.4	3.3	
Idd	Current consumption in low-power mode	Fc = 768 kHz		285		µA
Idd	Current consumption in performance mode	Fc = 2.4 MHz		800		µA
		Fc = 3.072 MHz		880		µA
IddPdn	Current consumption in power-down <sup>(4)</sup>			2	5	µA
Icc	Short-circuit current		1		10	mA
V <sub>IOL</sub>	Low-level logic input/output voltage	I <sub>out</sub> = 1 mA	-0.3		0.35xVdd	V
V <sub>IOH</sub>	High-level logic input/output voltage	I <sub>out</sub> = 1 mA	0.65xVdd		Vdd+0.3	V
TWK	Wake-up time <sup>(5)</sup>	Guaranteed by design			10	ms
Roll-off	Frequency response	-3 dB point		35		Hz
Cload	DOOUT load capacitance				100	pF
Top	Operating temperature range		-40		+85	°C

1. Typical specifications are not guaranteed.

2. Duty cycle: min = 40% max = 60%

3. In case of mode change (from low-power to performance mode or vice versa), the clock has to be continuous or has to be stopped for at least 50 µs.

4. Input clock in static mode

5. Time from the first clock edge to valid output data

The values listed in the table below are specified for Vdd = 1.8 V, Clock = 768 kHz, no load, T = 25 °C, unless otherwise noted.

**Table 4. Low-power mode**

Symbol	Parameter	Test condition	Min.	Typ. <sup>(1)</sup>	Max.	Unit
I <sub>dd</sub>	Current consumption			285		μA
S <sub>o</sub>	Sensitivity	94 dBSPL @ 1 kHz	-25	-24	-23	dBFS
SNR	Signal-to-noise ratio	94 dBSPL @ 1 kHz A-weighted (20 Hz - 8 kHz)		64		dB(A)
THD	Total harmonic distortion	94 dBSPL @1 kHz		0.2		%
AOP	Acoustic overload point			120		dB SPL
PSR	Power supply rejection	100 mVpp sine wave @ 217 Hz		-85		dBFS

1. Typical specifications are not guaranteed.

The values listed in the table below are specified for Vdd = 1.8 V, Clock = 2.4MHz, no load, T = 25 °C, unless otherwise noted

**Table 5. Performance mode**

Symbol	Parameter	Test condition	Min.	Typ. <sup>(1)</sup>	Max.	Unit
I <sub>dd</sub>	Current consumption	2.4 MHz		800		μA
		3.072 MHz		880		
S <sub>o</sub>	Sensitivity	94 dBSPL @1 kHz	-42	-41	-40	dBFS
SNR	Signal-to-noise ratio 94 dBSPL @ 1 kHz A-weighted (20 Hz - 20 kHz)	2.4 MHz		65		dB(A)
		3.072 MHz		65.5		
THD	Total harmonic distortion	94 dBSPL @1 kHz		0.2		%
		110 dBSPL @1 kHz		0.5		
AOP	Acoustic overload point			135		dB SPL
PSR	Power supply rejection	100mVpp sinewave @ 217 Hz		-95		dBFS

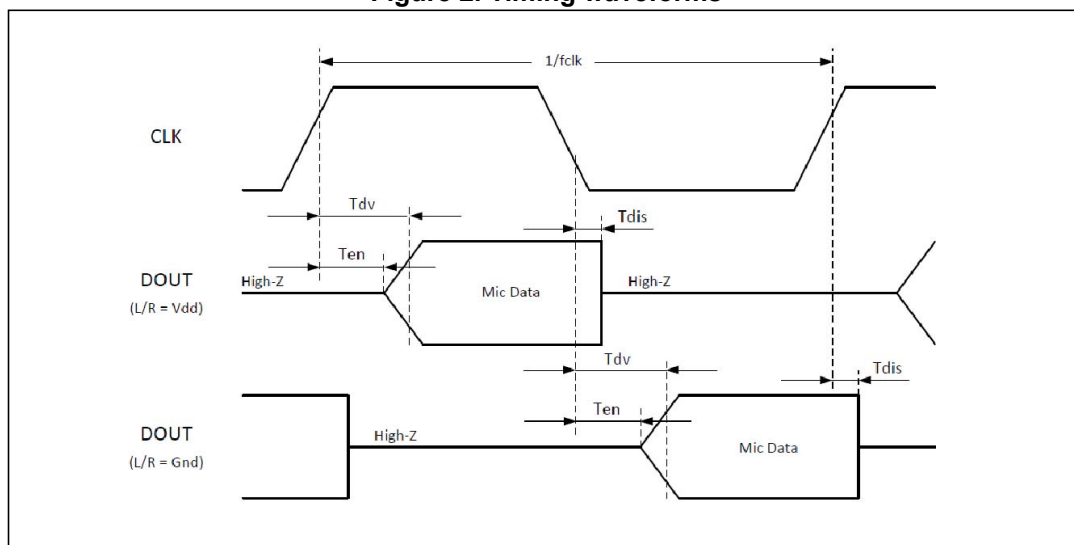
1. Typical specifications are not guaranteed.

## 2.2 Timing characteristics

Table 6. Timing characteristics

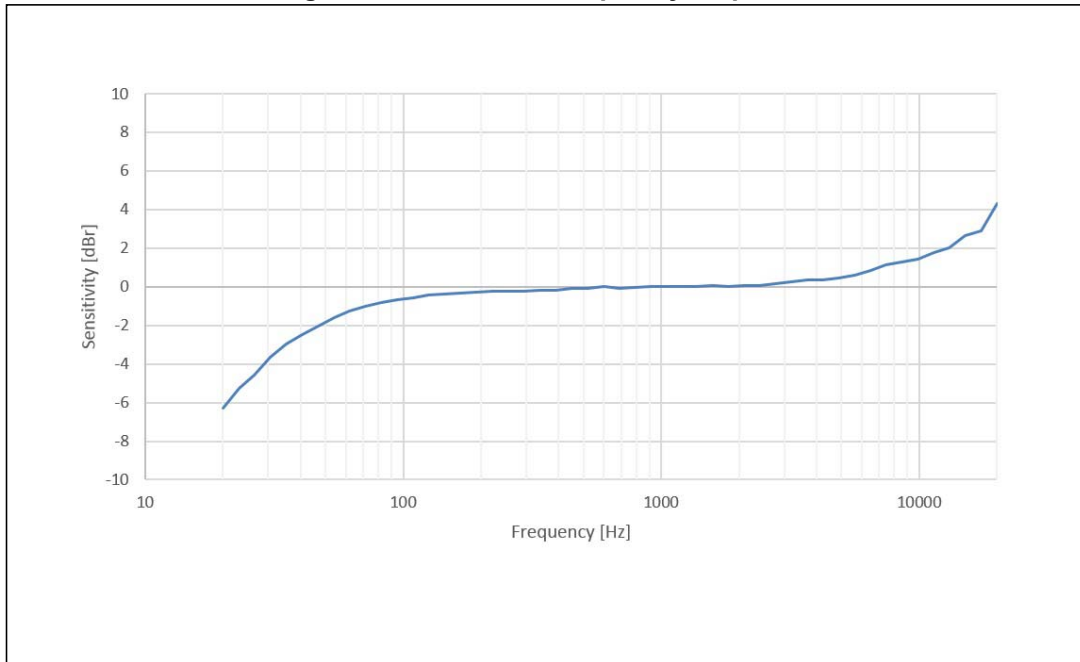
Parameter	Description	Min	Max	Unit
$T_{dv}$	Delay time to valid data (Cload = 100 pF)		120	ns
$T_{en}$	Delay time to data driven	19		ns
$T_{dis}$	Delay time to Hi-Z	4	17	ns

Figure 2. Timing waveforms



## 2.3 Frequency response

Figure 3. Normalized frequency response





### 3 Absolute maximum ratings

Stresses above those listed as “absolute maximum ratings” may cause permanent damage to the device. This is a stress rating only and functional operation of the device under these conditions is not implied. Exposure to maximum rating conditions for extended periods may affect device reliability.

**Table 7. Absolute maximum ratings**

Symbol	Ratings	Maximum value	Unit
V <sub>dd</sub>	Supply voltage	-0.3 to 4.8	V
V <sub>in</sub>	Input voltage on any control pin <sup>(1)</sup>	-0.3 to V <sub>dd</sub> +0.3	V
T <sub>OP</sub>	Operating temperature range	-40 to +105	°C
T <sub>STG</sub>	Storage temperature range	-40 to +125	°C
ESD	(HBM) ANSI/ESDA/JEDEC JS001	±2000	V
	(MM) EIA/JESD22-A115	±200	
	(CDM) JESD22-C101	±750	
ESD <sup>(2)</sup>	Per IEC61000-4-2, 150 pF, 330 W direct contact to housing	±8000	V

1. Supply voltage on any pin should never exceed 4.8 V.
2. Bypass capacitor of 200 nF or 1 μF (better) is highly recommended for ESD main clamp integrity.



This device is sensitive to mechanical shock, improper handling can cause permanent damage to the part.



This device is sensitive to electrostatic discharge (ESD), improper handling can cause permanent damage to the part.

## 4 Functionality

### 4.1 L/R channel selection

The L/R digital pad lets the user select the DOUT signal pattern as explained in [Table 8](#). The L/R pin must be connected to Vdd or GND.

**Table 8. L/R channel selection**

L/R	CLK low	CLK high
GND	Data valid	High impedance
Vdd	High impedance	Data valid

*Note:* As the L/R pin is internally connected to GND via a 200k pull-down resistor, it is not mandatory to connect the pin itself to GND for the respective channel selection.

## 5 Application recommendations

Figure 4. MP23DB01HP electrical connections

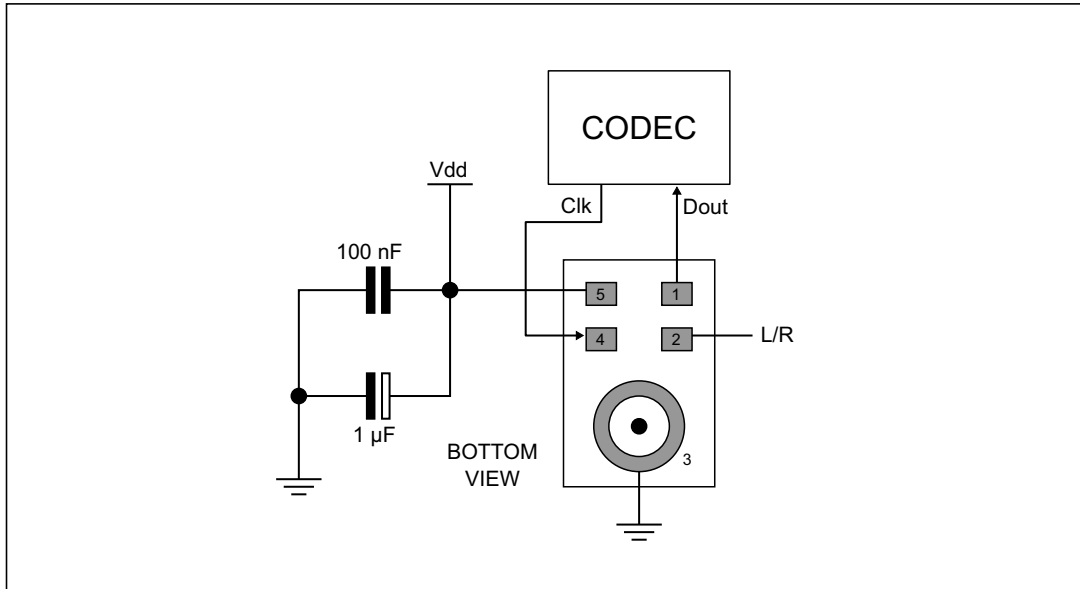
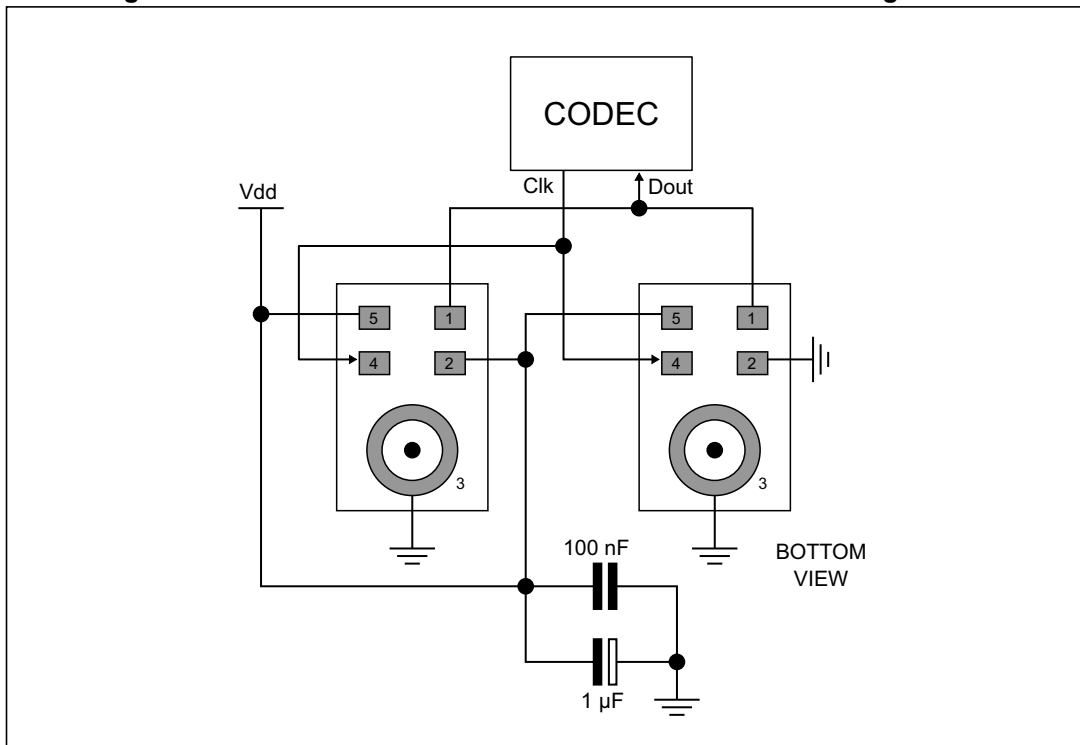


Figure 5. MP23DB01HP electrical connections for stereo configuration



Power supply decoupling capacitors (100 nF ceramic, 1 μF ceramic) should be placed as near as possible to pin 5 of the device (common design practice).

The L/R pin must be connected to Vdd or GND (refer to [Table 8](#)).

## 6 Package information

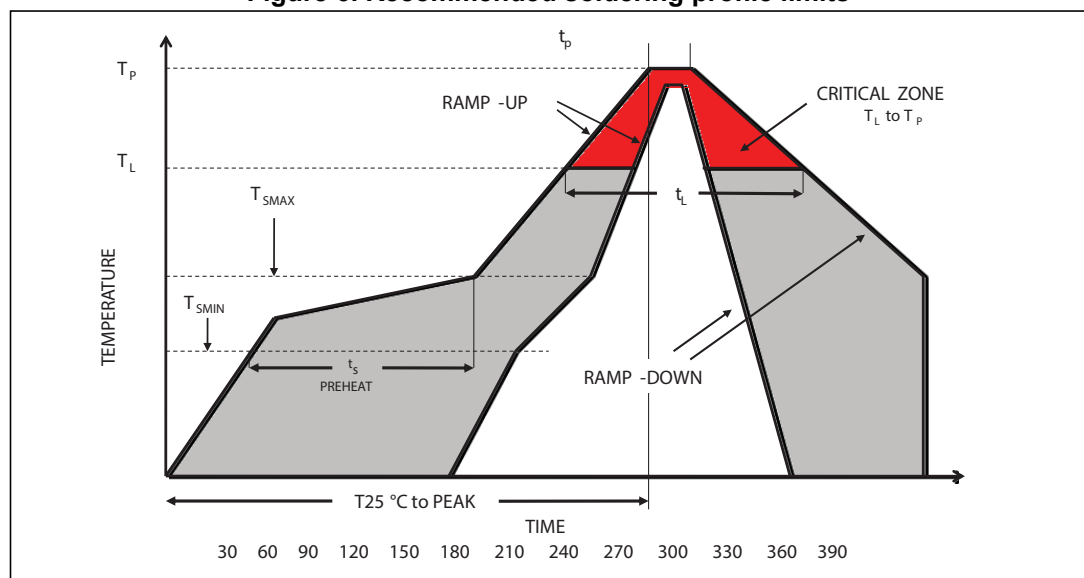
In order to meet environmental requirements, ST offers these devices in different grades of ECOPACK packages, depending on their level of environmental compliance. ECOPACK specifications, grade definitions and product status are available at: [www.st.com](http://www.st.com). ECOPACK is an ST trademark.

### Soldering information

The RHLGA (3.5 x 2.65 x 0.98) mm package is also compliant with the RoHS and “Green” standards and is qualified for soldering heat resistance according to JEDEC J-STD-020.

Landing pattern and soldering recommendations are available at [www.st.com](http://www.st.com).

**Figure 6. Recommended soldering profile limits**



**Table 9. Recommended soldering profile limits**

Description	Parameter	Pb free
Average ramp rate	$T_L$ to $T_P$	3 °C/sec max
Preheat		
Minimum temperature	$T_{SMIN}$	150 °C
Maximum temperature	$T_{SMAX}$	200 °C
Time ( $T_{SMIN}$ to $T_{SMAX}$ )	$t_s$	60 sec to 120 sec
Ramp-up rate	$T_{SMAX}$ to $T_L$	
Time maintained above liquidous temperature	$t_L$	60 sec to 150 sec
Liquidous temperature	$T_L$	217 °C
Peak temperature	$T_P$	260 °C max
Time within 5 °C of actual peak temperature		20 sec to 40 sec

Table 9. Recommended soldering profile limits (continued)

Description	Parameter	Pb free
Ramp-down rate		6 °C/sec max
Time 25 °C (t25 °C) to peak temperature		8 minutes max

Figure 7. RHLGA 3.5 x 2.65 x 0.98 mm (metal cap) 5L package outline

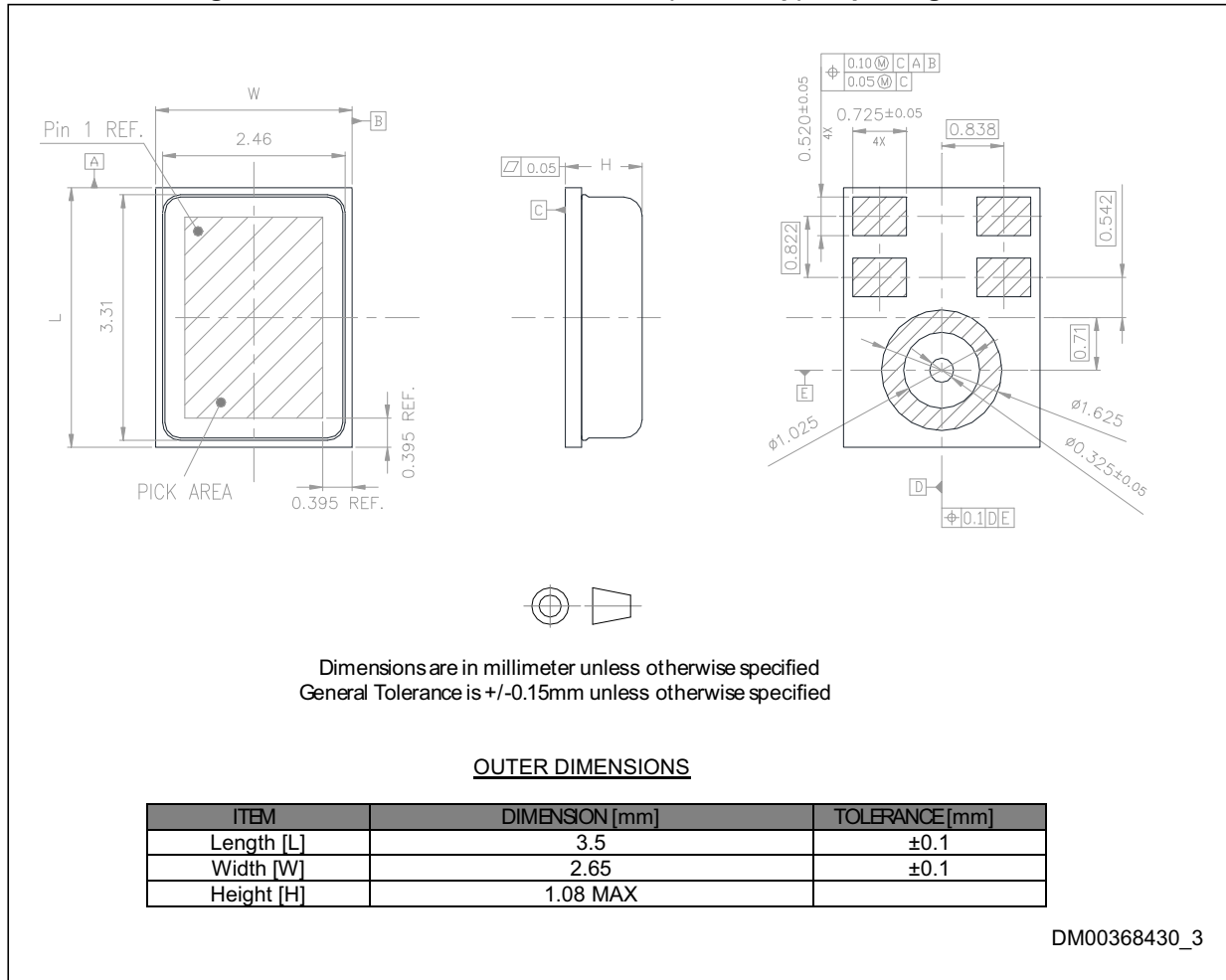


Figure 8. Land pattern and recommended stencil opening

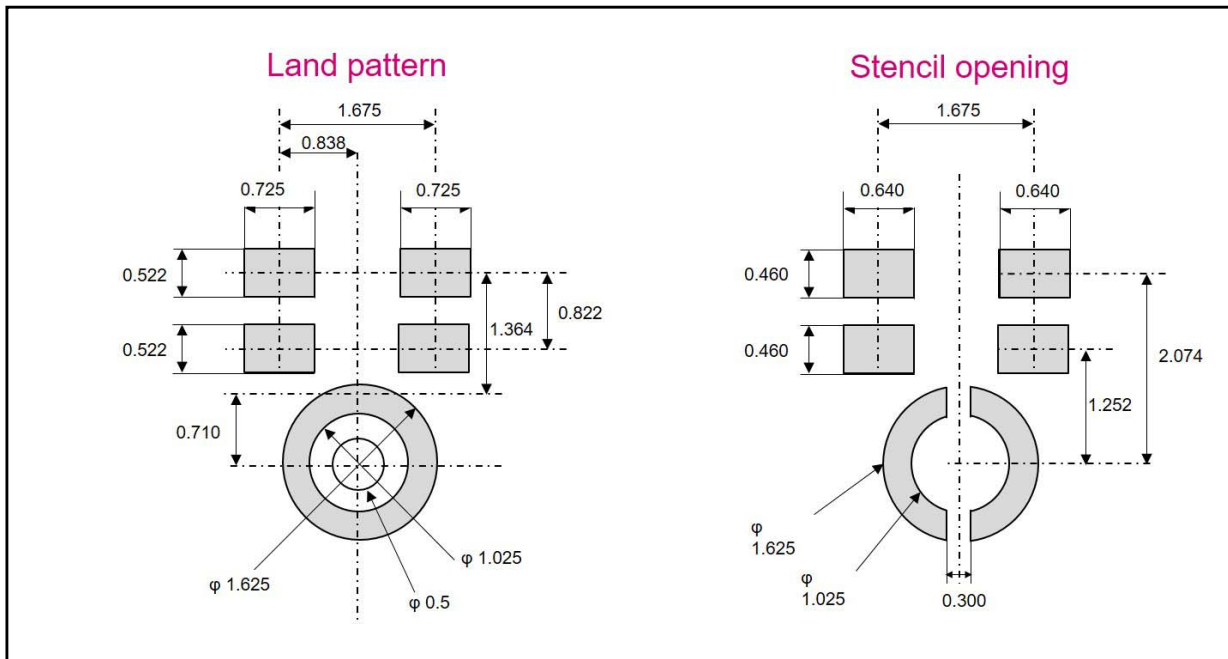
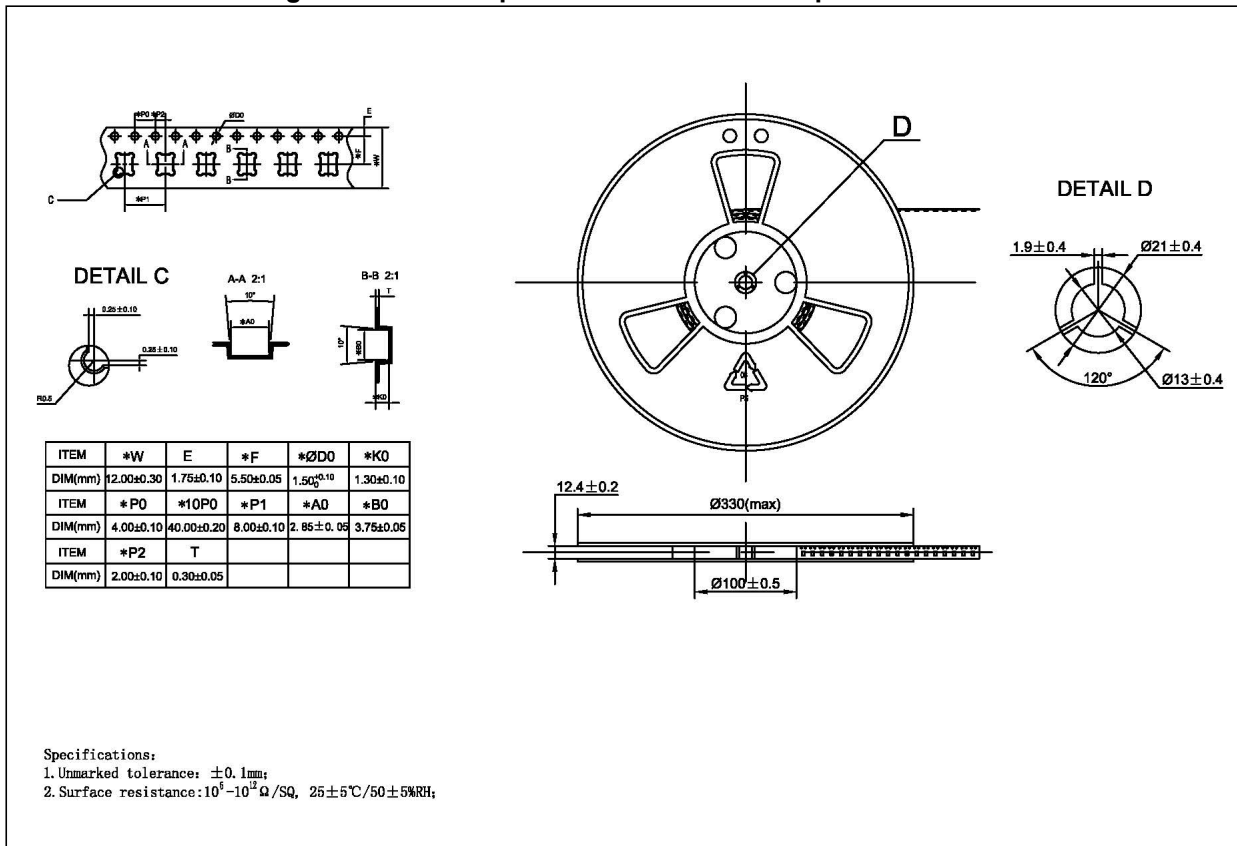


Figure 9. Carrier tape and reel mechanical specifications



## 7 Revision history

Table 10. Document revision history

Date	Revision	Changes
29-Apr-2020	1	Initial release
27-Jul-2020	2	Added footnote 3 regarding the clock to <a href="#">Table 3: General microphone specifications</a>

**IMPORTANT NOTICE – PLEASE READ CAREFULLY**

STMicroelectronics NV and its subsidiaries (“ST”) reserve the right to make changes, corrections, enhancements, modifications, and improvements to ST products and/or to this document at any time without notice. Purchasers should obtain the latest relevant information on ST products before placing orders. ST products are sold pursuant to ST’s terms and conditions of sale in place at the time of order acknowledgement.

Purchasers are solely responsible for the choice, selection, and use of ST products and ST assumes no liability for application assistance or the design of Purchasers’ products.

No license, express or implied, to any intellectual property right is granted by ST herein.

Resale of ST products with provisions different from the information set forth herein shall void any warranty granted by ST for such product.

ST and the ST logo are trademarks of ST. For additional information about ST trademarks, please refer to [www.st.com/trademarks](http://www.st.com/trademarks). All other product or service names are the property of their respective owners.

Information in this document supersedes and replaces information previously supplied in any prior versions of this document.

© 2020 STMicroelectronics – All rights reserved



# Mouser Electronics

Authorized Distributor

Click to View Pricing, Inventory, Delivery & Lifecycle Information:

[STMicroelectronics:](#)

[MP23DB01HPTR](#)