

## EMI Suppression Safety Capacitor, Ceramic Disc, Class X1, 760 V<sub>AC</sub>, Class Y1, 500 V<sub>AC</sub>



### LINKS TO ADDITIONAL RESOURCES



QUICK REFERENCE DATA				
DESCRIPTION	VALUE			
Ceramic Class	1		2	
Ceramic Dielectric	U2J	U2J	Y5S, Y5U, Y5V	Y5S, Y5U, Y5V
Voltage (V <sub>AC</sub> )	500	760	500	760
Min. Capacitance (pF)	10		33	
Max. Capacitance (pF)	22		4700	
Mounting	Radial			

### OPERATING TEMPERATURE RANGE

-40 °C to +125 °C

### TEMPERATURE CHARACTERISTICS

Class 1: N750 (U2J)

Class 2: Y5S, Y5U, Y5V

### SECTIONAL SPECIFICATIONS

Climatic category (according to EN 60058-1)

Class 1 and class 2: 40/125/21

### COATING

According to UL 94 V-0

Epoxy resin, isolating, flame retardant

Halogen-free available

Reinforced insulation

### APPROVALS

IEC 60384-14

UL 60384-14

DIN EN 60384-14

CSA E60384-1:03, CSA E60384-14:09

CQC11-471112-2009

### PACKAGING

Bulk, tape and reel, taped ammpack

### FEATURES

- Complying with IEC 60384-14
- High reliability
- Vertical (inline) kinked or straight leads
- Singlelayer AC disc safety capacitors
- Material categorization:  
for definitions of compliance please see  
[www.vishay.com/doc?99912](http://www.vishay.com/doc?99912)



**RoHS**  
COMPLIANT  
HALOGEN  
**FREE**  
**GREEN**  
(5-2008)

### APPLICATIONS

- X1, Y1 according to IEC 60384-14
- Line-to-line filtering (Class X)
- Line-to-ground filtering (Class Y)
- Primary and secondary coupling (SMPS)
- EMI / RFI suppression and filtering

### DESIGN

The capacitor consists of a ceramic disc which is silver plated on both sides. Connection leads are made of tinned copper clad steel having a diameter of 0.6 mm.

The capacitors may be supplied with vertical (inline) kinked leads having a lead spacing of 10.0 mm, or 12.5 mm. Encapsulation is made of flame retardant epoxy resin in accordance with UL 94 V-0.

### CAPACITANCE RANGE

10 pF to 4700 pF

### RATED VOLTAGE U<sub>R</sub>

IEC 60384-14:

(X1): 760 V<sub>AC</sub>, 50 Hz

(Y1): 500 V<sub>AC</sub>, 50 Hz

1500 V<sub>DC</sub>

### TEST VOLTAGE

Component test (100 %):

4000 V<sub>AC</sub>, 50 Hz, 2 s

Random sampling test (destructive test):

4000 V<sub>AC</sub>, 50 Hz, 60 s

Voltage proof of coating (destructive test):

4000 V<sub>AC</sub>, 50 Hz, 60 s

### INSULATION RESISTANCE

≥ 10 000 MΩ

### CAPACITANCE TOLERANCE

± 20 % (code M); ± 10 % (code K)

### DISSIPATION FACTOR

Class 1: max. 0.5 % (1 MHz)

Class 2: max. 2.5 % (1 kHz)



TECHNICAL DATA					
CAPACITANCE C (pF)	CAPACITANCE TOLERANCE (%)	BODY DIAMETER D <sub>max.</sub> (mm)	BODY THICKNESS T <sub>max.</sub> (mm)	LEAD SPACING F (mm) ± 1 mm	PART NUMBER
					MISSING DIGITS SEE ORDERING CODE BELOW
<b>U2J (N750)</b>					
10	± 10	8.0	5.0	10.0 or 12.5	VY1100K31U2JQ6###
15					VY1150K31U2JQ6###
22					VY1220K31U2JQ6###
<b>Y5S (2C3)</b>					
33	± 10	8.0	5.0	10.0 or 12.5	VY1330K31Y5SQ6###
47					VY1470K31Y5SQ6###
68					VY1680K31Y5SQ6###
100					VY1101K31Y5SQ6###
150					VY1151K31Y5SQ6###
220					VY1221K31Y5SQ6###
330					VY1331K31Y5SQ6###
<b>Y5U (2E3)</b>					
470	± 20 <sup>(1)</sup>	8.0	5.0	10.0 or 12.5	VY1471#31Y5UQ6###
680					VY1681#31Y5UQ6###
1000		9.0			VY1102#35Y5UQ6###
1500		10.5			VY1152#41Y5UQ6###
2200		12.0			VY1222#47Y5UQ6###
3300		15.0			VY1332#59Y5UQ6###
3900		15.5			VY1392#61Y5UQ6###
4700		16.0			VY1472#63Y5UQ6###
<b>Y5V (2F3) MINI SIZE SERIES</b>					
1000	± 20	7.5	5.5	10.0 or 12.5	VY1102M29Y5VQ6###
1500		8.5			VY1152M33Y5VQ6###
2200		9.5			VY1222M37Y5VQ6###
3300		11.0			VY1332M43Y5VQ6###
3900		12.0			VY1392M47Y5VQ6###
4700		13.0			VY1472M51Y5VQ6###

**Notes**

- Straight leads available on request
- Coating extension DR valid for straight leads only

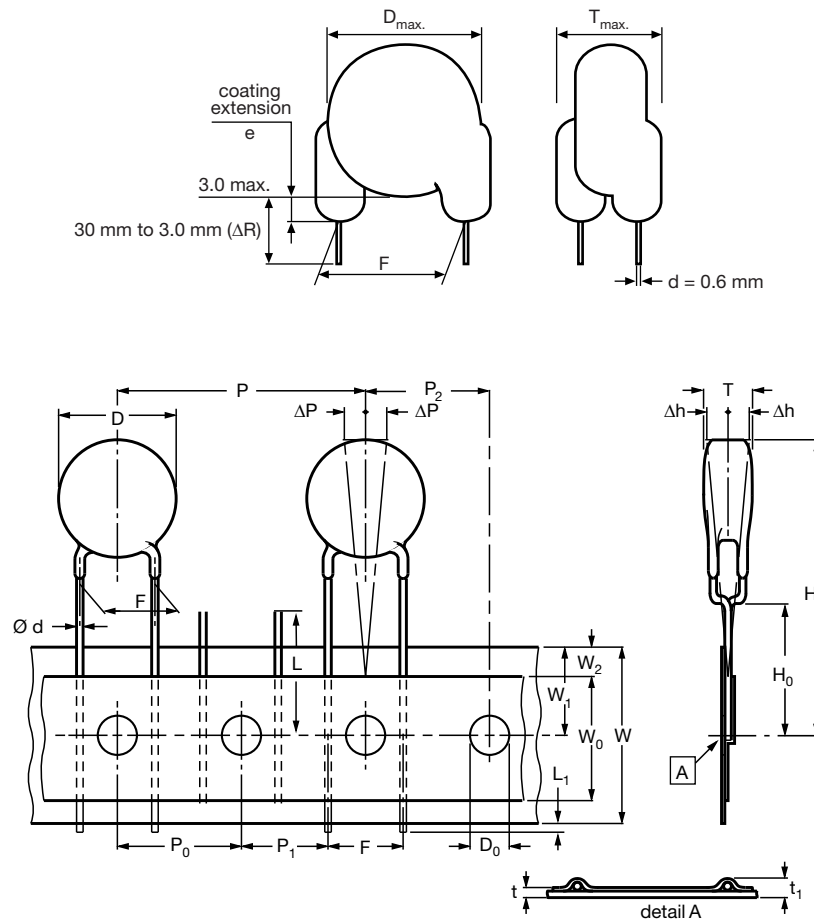
<sup>(1)</sup> ± 10 % available on request

ORDERING CODE										
#	7 <sup>th</sup> digit		Capacitance tolerance			± 10 % = K, ± 20 % = M				
###	15 <sup>th</sup> to 17 <sup>th</sup> digit		Lead configuration			Available configurations see below				
<b>Example</b>	<b>VY1</b>	<b>101</b>	<b>K</b>	<b>31</b>	<b>Y5S</b>	<b>Q</b>	<b>6</b>	<b>T</b>	<b>V</b>	<b>0</b>
	Series	Capacitance value	Tolerance code	Size code	Temperature coefficient	Rated voltage Q = X1/Y1 500 V (AC)	Lead wire diameter	Packaging / lead length 3 = bulk T = tape and reel U = ammpack	Lead style L = straight V = inline kinked	Lead spacing 0 = 10.0 X = 12.5

PACKAGING				
SIZE CODE	BODY DIAMETER $D_{max.}$ (mm)	PACKAGING QUANTITIES		
		BULK	REEL	AMMO
31 to 47	12.0	1000	500	750
51 to 63	16.0	500	500	750

**Note**

- The capacitors are supplied in bulk packaging (cardboard boxes), in tape on reel or in ammpack

**STRAIGHT LEADS**


The sprocket hole pitch ( $P_0$ ) is 12.7 mm for lead spacing 10.0 mm and 12.5 mm

DIMENSIONS OF TAPE		
SYMBOL	PARAMETER	DIMENSIONS (mm)
D <sup>(1)</sup>	Body diameter	16.0 max.
d	Lead diameter	0.6 ± 0.05
P	Pitch of component	25.4 ± 1
P <sub>0</sub> <sup>(2)</sup>	Pitch of sprocket hole	12.7 ± 0.3
P <sub>1</sub> <sup>(3)</sup>	Distance, hole center to lead	7.7 or 6.4 ± 1.0
P <sub>2</sub> <sup>(3)</sup>	Distance, hole to center of component	12.7 ± 1.5
F	Lead spacing	10.0 or 12.5 + 0.6/- 0.4
Δh	Average deviation across tape	± 1.0 max.
ΔP	Average deviation in direction of reeling	± 1.0 max.
W	Carrier tape width	18.0 + 1/- 0.5
W <sub>0</sub>	Hold-down tape width	5.0 min.
W <sub>1</sub>	Position of sprocket hole	9.0 + 0.75/- 0.5
W <sub>2</sub>	Distance of hold-down tape	3.0 max.
H <sub>1</sub>	Maximum component height	40.0
H <sub>0</sub>	Height to seating plane (for kinked leads)	16.0 ± 0.5
H <sub>0</sub>	Height to seating plane (for straight leads)	20.0 ± 0.5
L	Length of cut leads	11.0 max.
L <sub>1</sub>	Length of lead protrusion	1.0 max.
D <sub>0</sub>	Diameter of sprocket hole	4.0 ± 0.2
t	Total tape thickness	0.9 max.
t <sub>1</sub>	Total tape thickness with lead wire	t + d

**Notes**

- (1) See "Technical Data" table
- (2) Cumulative pitch error: ± 1 mm/20 pitches
- (3) Obliquity maximum 3°

**REEL AND TAPE DATA** in millimeters


Reel with capacitors on tape

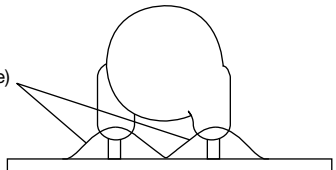


Ammpack with capacitors on tape



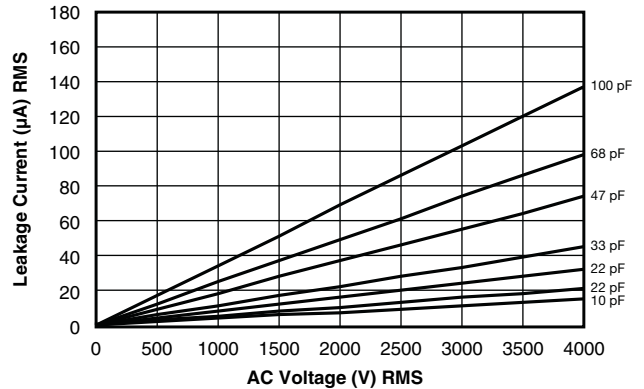
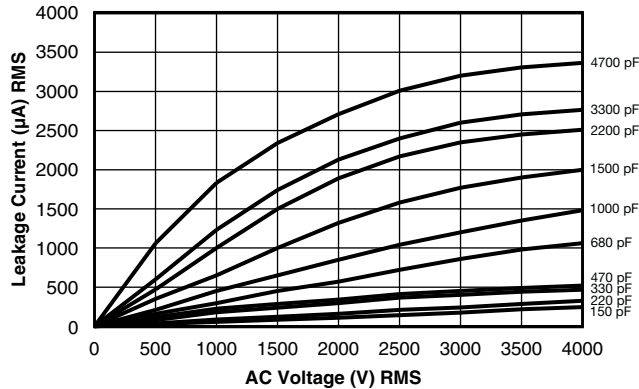
APPROVALS				
IEC 60384-14 - Safety tests This approval together with CB test certificate substitutes all national approvals.				
<b>CB Certificate</b>				
Y1-capacitor: CB test certificate:	US-26561-UL	10 pF to 4.7 nF	500 V <sub>AC</sub>	
X1-capacitor: CB test certificate:	US-26561-UL	10 pF to 4.7 nF	760 V <sub>AC</sub>	
<b>VDE</b>				
Y1-capacitor: VDE marks approval:	40012673	10 pF to 4.7 nF	500 V <sub>AC</sub>	
X1-capacitor: VDE marks approval:	40012673	10 pF to 4.7 nF	760 V <sub>AC</sub>	
DIN EN 60384-14 VDE 0565-1-1:2006-04 - Safety tests				
<b>Underwriters Laboratories Inc./Canadian Standards Association</b>				
Y1-capacitor: CSA test certificate:	E183844	10 pF to 4.7 nF	500 V <sub>AC</sub>	
X1-capacitor: CSA test certificate:	E183844	10 pF to 4.7 nF	760 V <sub>AC</sub>	
UL 60384-14, CSA E60384-1:03, CSA E60384-14:09 Fixed capacitors for electromagnetic interference suppression and connection to the supply mains.				
<b>CQC</b>				
Y1-capacitor: CQC test certificate:	CQC05001015032	10 pF to 4.7 nF	500 V <sub>AC</sub>	
X1-capacitor: CQC test certificate:	CQC05001015032	10 pF to 4.7 nF	760 V <sub>AC</sub>	

MARKING	
<p>Sample (2 sides)</p> <div style="display: flex; justify-content: space-around; align-items: center;"> <div style="text-align: center;"> <p>VY1 472M Y1 500~ X1 760~ xxxx</p> </div> <div style="text-align: center;"> <p>10 VDE CULUS 250~</p> </div> </div> <p>4 digit date code (year/week; add suffix "V" for mini size series)</p>	<div style="text-align: center;"> </div> <div style="display: flex; justify-content: space-between;"> <div> <p>PN: VY1471M31Y5UQ6XT0 QTY: 225 PO: SO:</p> </div> <div> <p>Lot1: 14Z551S12 Lot2: Batch: 200601CN Region: 9520 Ser.No: 0601H69340</p> </div> <div> <p>DC1: 0601 DC2: SL: 0010</p> </div> </div> <div style="display: flex; justify-content: space-between; margin-top: 10px;"> <div> </div> <div style="text-align: right;">1/1</div> </div>

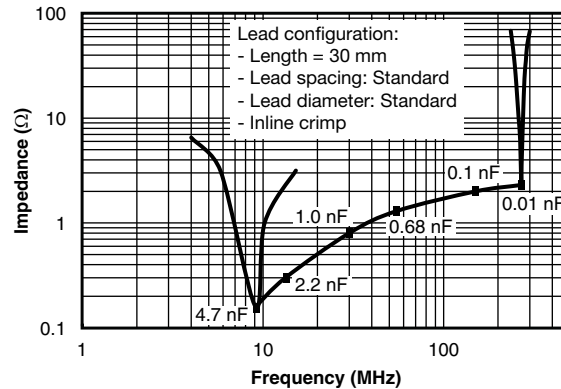
<b>PERFORMANCE</b>		
<b>TEST</b>	<b>TEST CONDITION</b>	<b>TEST LIMITS</b>
Visual and mechanical inspection	Optical inspection, dimensions measured with caliper	No visible damage, marking legible
Capacitance (C)	25 °C ± 3 °C , relative humidity (RH) ≤ 75 % , 1.0 V <sub>RMS</sub> ± 0.2 V <sub>RMS</sub> at 1 kHz for Y5U and Y5S, and 1 MHz for U2J	Capacitance within specified tolerance
Dissipation factor (DF)		DF ≤ 0.3 % for U2J and DF ≤ 2.5 % for Y5S and Y5U
Insulation resistance (IR)	Measured within 60 s ± 5 s after charging at 500 V <sub>DC</sub>	10 000 MΩ min.
Dielectric strength	4000 V <sub>AC</sub> at 50 Hz/60 Hz for 1 min, 50 mA max.	No failure
Temperature characteristic	RH ≤ 75 % , 1.0 V <sub>RMS</sub> ± 0.2 V <sub>RMS</sub> at 1 kHz for Y5U and Y5S, and 1 MHz for U2J	U2J: -750 ppm ± 120 ppm Y5S: ± 22 % Y5U: +22 %/-56 %
Impulse voltage	3 pulses of 8 kV	No failure
Life test	1000 h at 125 °C ± 2 °C, 850 V <sub>AC</sub> /50 Hz; once every hour 1000 V <sub>AC</sub> for 0.1 s	External appearance: no visible damage ΔC/C ≤ ± 15 % DF ≤ 0.5 % for U2J and ≤ 5 % for Y5S and Y5U IR ≥ 3000 MΩ Dielectric strength: no failure
Humidity test	500 h at 500 V <sub>AC</sub> , 50 Hz and 500 h unloaded 40 °C, RH = 90 % to 95%	External appearance: no visible damage ΔC/C ≤ ± 10 % for U2J and ≤ ± 15 % for Y5S and Y5U DF ≤ 0.5 % for U2J and ≤ 5 % for Y5S and Y5U IR ≥ 3000 MΩ Dielectric strength: no failure
Robustness of termination	Pull test: 0.5 kg tensile weight in radial direction for 10 s ± 1 s Bending strength: capacitor body rotated by 90° in both directions	No damage to capacitor body and lead wire
Soldering effect	Immersion of lead wires into 260 °C ± 5 °C solder for 10 s ± 2 s; min. distance from body: 1.5 mm Hand soldering at 400 °C ± 10 °C for 3 s to 4 s; min. distance from body: 1.5 mm	External appearance: no visible damage ΔC/C ≤ ± 5 % for U2J and ≤ ± 10 % for Y5S and Y5U Dielectric strength: no failure
Vibration test	 <p>Solder the capacitor onto test jig (glass epoxy body) and use resin (adhesive) to stick the body to the test jig. The capacitor must be soldered firmly to the supporting lead wire. Vibration change from 10 Hz to 2000 Hz and back to 10 Hz; Total amplitude: 1.5 mm; Acceleration: 100 m/s<sup>2</sup>; Sweep rate: 1 oct/min, each axis 2 h (6 h in total)</p>	External appearance: no visible damage Capacitance within specified tolerance DF ≤ 0.3 % for U2J and ≤ 2.5 % for Y5S and Y5U IR ≥ 10 000 GΩ



**LEAKAGE CURRENT VS. VOLTAGE (Typical)**



**IMPEDANCE VS. FREQUENCY (Typical)**



**Note**

- The capacitors meet the essential requirements of "EIA 198". Unless stated otherwise all electrical values apply at an ambient temperature of 25 °C ± 3 °C, at normal atmospheric conditions

<b>RELATED DOCUMENTS</b>	
General Information	<a href="http://www.vishay.com/doc?28536">www.vishay.com/doc?28536</a>
CB Test Certificate	<a href="http://www.vishay.com/doc?22249">www.vishay.com/doc?22249</a>
VDE Marks Approval	<a href="http://www.vishay.com/doc?22251">www.vishay.com/doc?22251</a>
UL Test Certificate	<a href="http://www.vishay.com/doc?22250">www.vishay.com/doc?22250</a>
CQC Test Certificate	<a href="http://www.vishay.com/doc?22248">www.vishay.com/doc?22248</a>
LTspice® Models	<a href="http://www.vishay.com/doc?28568">www.vishay.com/doc?28568</a>

<b>SAMPLE KITS</b>	
Part Number (VY1 Sample Kit)	VY11-KIT-HF
Link (VY1 Sample Kit)	<a href="http://www.vishay.com/doc?28552">www.vishay.com/doc?28552</a>
Part Number (VY1...Y5V Sample Kit)	VY1-KIT-MS
Link (VY1...Y5V Sample Kit)	<a href="http://www.vishay.com/doc?28561">www.vishay.com/doc?28561</a>



## Disclaimer

ALL PRODUCT, PRODUCT SPECIFICATIONS AND DATA ARE SUBJECT TO CHANGE WITHOUT NOTICE TO IMPROVE RELIABILITY, FUNCTION OR DESIGN OR OTHERWISE.

Vishay Intertechnology, Inc., its affiliates, agents, and employees, and all persons acting on its or their behalf (collectively, "Vishay"), disclaim any and all liability for any errors, inaccuracies or incompleteness contained in any datasheet or in any other disclosure relating to any product.

Vishay makes no warranty, representation or guarantee regarding the suitability of the products for any particular purpose or the continuing production of any product. To the maximum extent permitted by applicable law, Vishay disclaims (i) any and all liability arising out of the application or use of any product, (ii) any and all liability, including without limitation special, consequential or incidental damages, and (iii) any and all implied warranties, including warranties of fitness for particular purpose, non-infringement and merchantability.

Statements regarding the suitability of products for certain types of applications are based on Vishay's knowledge of typical requirements that are often placed on Vishay products in generic applications. Such statements are not binding statements about the suitability of products for a particular application. It is the customer's responsibility to validate that a particular product with the properties described in the product specification is suitable for use in a particular application. Parameters provided in datasheets and / or specifications may vary in different applications and performance may vary over time. All operating parameters, including typical parameters, must be validated for each customer application by the customer's technical experts. Product specifications do not expand or otherwise modify Vishay's terms and conditions of purchase, including but not limited to the warranty expressed therein.

Hyperlinks included in this datasheet may direct users to third-party websites. These links are provided as a convenience and for informational purposes only. Inclusion of these hyperlinks does not constitute an endorsement or an approval by Vishay of any of the products, services or opinions of the corporation, organization or individual associated with the third-party website. Vishay disclaims any and all liability and bears no responsibility for the accuracy, legality or content of the third-party website or for that of subsequent links.

Except as expressly indicated in writing, Vishay products are not designed for use in medical, life-saving, or life-sustaining applications or for any other application in which the failure of the Vishay product could result in personal injury or death. Customers using or selling Vishay products not expressly indicated for use in such applications do so at their own risk. Please contact authorized Vishay personnel to obtain written terms and conditions regarding products designed for such applications.

No license, express or implied, by estoppel or otherwise, to any intellectual property rights is granted by this document or by any conduct of Vishay. Product names and markings noted herein may be trademarks of their respective owners.



# Mouser Electronics

Authorized Distributor

Click to View Pricing, Inventory, Delivery & Lifecycle Information:

Vishay:

[VY1222M47Y5UQ6BV0](#)